

Honeywell

EN Portable Air Conditioner
User Manual

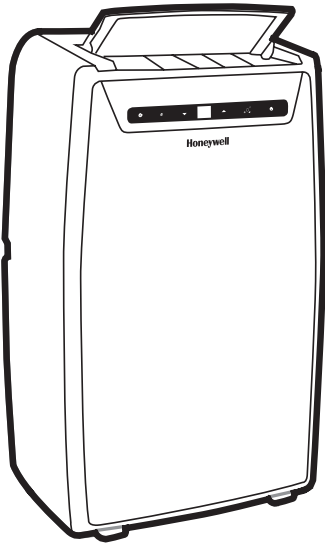
Read and save these instructions before use

FR Climatiseur portatif
Mode d'emploi

Lire ces consignes avant l'utilisation de l'appareil et les conserver

ES Aire Acondicionado Portátil
Manual del Propietario

Lea y guarde estas instrucciones antes de usar la unidad



Model / Modèle / Modelo:
MN4CFS9/ MN4HFS9/
MN4CFSBB9/ MN4HFSBB9/
MN4CFSWW9/
MN4HFSWW9

Check the website for FAQs, usage guides, and more!
Consultez le site Web pour les FAQ, les guides
d'utilisation et plus encore!
Consulte el sitio web para ver las preguntas frecuentes,
las guías de uso y mucho más.
www.HoneywellAirComfort.com

Customer Support:
Assistance Au Client:
Servicio de atención a clientes:
Web: www.HoneywellAirComfort.com
USA: 1-800-474-2147 | usinfo@jmatek.com
CANADA[^]: canadainfo@jmatek.com



Product Registration



Contact Us

[^] Canada Customer Support service available for models sold in Canada only.

[^] Le Service Client Canadien est disponible uniquement pour les modèles vendus sur le territoire Canadien.

[^] Servicio de Atención A Clientes en Canadá disponible solo para modelos vendidos en Canadá.

READ AND SAVE THESE INSTRUCTIONS

IMPORTANT SAFETY INSTRUCTIONS. READ CAREFULLY AND KEEP FOR FUTURE REFERENCE. IN CASE THERE IS ANY INCONSISTENCY OR CONFLICT BETWEEN THE ENGLISH VERSION AND ANY OTHER LANGUAGE VERSION OF THE CONTENT OF THIS MATERIAL, THE ENGLISH VERSION SHALL PREVAIL.

WARNING:


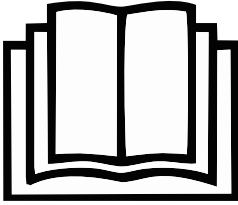


- DO NOT operate the unit with a damaged plug or loose wall outlet. If the supply cord is damaged, it must be replaced by the manufacturer, its service agent, or similarly qualified persons in order to avoid a hazard.
- DO NOT cover the air intake and exhaust when in use.
- DO NOT place objects on or sit on the unit.
- Always turn off and unplug the unit when cleaning or servicing.
- DO NOT use the appliance if it is damaged.
- If service is needed, contact an authorized service agent.
- Unplug the unit when stored or not in use.
- DO NOT pull or carry the appliance by the power cord.
- DO NOT pinch the power cord in the door and DO NOT pull it along edges or sharp corners.
- DO NOT run the power cord under carpeting or rugs.
- Use caution to prevent tripping on cord.
- DO NOT use the device in the following cases:
 - Near a fire source
 - In areas where gasoline, paint, or other flammable goods are stored
 - In an area where water is likely to be sprayed or projected.
- DO NOT touch the plug or the device with wet hands.
- Basic safety precautions should always be followed when using electrical appliances.
- This appliance has been manufactured for use in domestic environments and should not be used for other purposes.

SAFETY (CONTINUED)

- **Only use the installation kit provided to install this unit. DO NOT attempt to extend the hose or install this unit using other methods other than those shown in this manual. Improper installation will void any existing warranties.**
- DO NOT use an extension cord with this unit.
- This appliance can be used by children aged 8 years and above and persons with reduced physical, sensory, or mental capabilities or lack of experience and knowledge if they have been given supervision or instruction concerning use of the appliance in a safe way and understand the hazards involved. Children shall not play with the appliance. Cleaning and user maintenance shall not be made by children without supervision.
- Never insert your fingers or rods into the air outlet. Take special care to warn children of these dangers.
- The manufacturer is not liable for injury caused to persons or property damage due to non-compliance with maintenance instructions and improper use of the appliance.
- The appliance shall be installed in accordance with national wiring regulations.
- The appliance is not to be used by persons (including children) with reduced physical, sensory, or mental capabilities, or lack of experience and knowledge, unless they have been given supervision or instruction.
- Children should be supervised to ensure that they do not play with the appliance.
- Electrical equipment and installations regulated by national legislation must be followed.
- The appliance should be transported upright.
- DO NOT turn on the appliance for at least one hour before first use.
- It is essential that the appliance is connected to an efficient ground connection checked by a qualified electrician.

SAFETY (CONTINUED)

- Possible leaks of refrigerant gas in unventilated rooms could lead to fire or an explosion hazard should the refrigerant come in contact with electric heaters, stoves, or other sources of ignition.
- Use care when storing the appliance to prevent damage that could cause mechanical faults.
- Only persons authorized by an accredited agency certifying their competence to handle refrigerants in compliance with sector legislation should work on refrigerant circuits.
- DO NOT use means to accelerate the defrosting process or to clean the unit other than those recommended by the manufacturer.
- Flammable substances or pressurized containers (e.g. aerosol cans) should be kept a minimum of 50cm away from heat or fire.
- Use only implements recommended by the manufacturer for defrosting or cleaning.
- DO NOT operate your air conditioner in a wet room such as a bathroom or laundry room.
- The machine works optimally when the humidity is within the range 30-80% RH.
- This appliance should be used in a room that allows for good ventilation between the unit and any walls/furniture or other objects. The room size should correspond to the room area as specified for operation by the manufacturer and the appliance should be well kept to prevent mechanical damage.
- Keep ventilation openings clear of obstructions.
- Do not pierce or burn the refrigerants.
- Be aware that refrigerants may not contain an odor.
- Do not modify this appliance in any way so as to avoid danger.
- All working procedures that affect safety shall only be carried out by competent persons.

SYMBOL	NOTE	EXPLANATION
<p>R32</p> 	<p>WARNING</p>	<p>This symbol shows that this appliance uses a flammable refrigerant. If the refrigerant is leaked and exposed to an external ignition source, there is a risk of fire.</p>
	<p>CAUTION</p>	<p>This symbol shows that the operation manual should be read carefully.</p>
	<p>CAUTION</p>	<p>This symbol shows that a service personnel should be handling this equipment with reference to the installation manual.</p>
	<p>CAUTION</p>	<p>This symbol shows that information is available, such as the operating manual or installation manual.</p>

Additional warnings for appliances with R32 refrigerant gas.

- Read the instructions carefully before using the appliance.
- R32 refrigerant gas complies with UL60335-2-40 / UL60335-1.
- This appliance contains a certain number of grams (see rating label at the back of the unit) of R32 refrigerant gas. The maximum refrigerant charge amount is not greater than R32 1.84 kg based on UL60335-2-40.
- When defrosting or cleaning, do not use any method other than those recommended by the manufacturer.
- Do not place the appliance in a room with continuous sources of ignition (e.g. open flame, operating gas appliance, or working electrical heater).
- Do not pierce and do not burn.
- Do not perforate any part of the refrigerant circuit.
- Refrigerant gas may be odorless.
- The appliance must be installed, used, and stored in an area that is greater than R32 gas: 4 m².
- Accumulation of possible refrigerant leaks in an unventilated room could lead to fire or explosion should the refrigerant come in contact with electric heaters, stoves, or other sources of ignition.
- The appliance must be stored in a way to prevent mechanical damage and in a well-vented area.
- Only individuals authorized by an accredited organization certifying their competence to handle refrigerants in compliance with industry legislation should work on the refrigerant circuit.
- Servicing shall be performed only as recommended by the manufacturer.
- All working procedures that affect safety means shall only be carried by competent persons.

Repair must be performed based on the recommendations from the manufacturer. Maintenance and repair that requires the assistance of other qualified personnel must be performed under the supervision of specialists in the use of flammable refrigerants.



CAUTION

Risk of Fire or Explosion due to Flammable Refrigerant Used.
Follow Handling Instructions Carefully in Compliance with National Regulations.

Transportation, marking, and storage for units.

1. Transport of equipment containing flammable refrigerants must comply with local transport regulations.
2. Marketing of equipment using signs must comply with local regulations.
3. Disposal of equipment using flammable refrigerants must comply with national regulations.
4. The storage of equipment should be in accordance with the manufacturer's instructions.
5. Storage package protection should be constructed such that mechanical damage to the equipment inside the package will not cause a leak of the refrigerant charge.
The maximum number of pieces of equipment permitted to be stored together will be determined by local regulations.



This marking indicates that this product should not be disposed with other household waste throughout the US. To prevent possible harm to the environment or human health from uncontrolled waste disposal, recycle it responsibly to promote the sustainable reuse of material resources. To return your used device, please use return and collection systems or contact the retailer where the product was purchased. They can take this product for environmentally safe recycling.

THANK YOU

Congratulations on your purchase of this Honeywell Portable Air Conditioner.

Regarding the information pertaining to the installation, handling, servicing, cleaning, and disposal of the appliance, please refer to the below section of the manual.

USER TIPS

Portable Air Conditioners are ideal for spot cooling. The compressor, condenser, and evaporator are housed in a compact unit. The air is dehumidified and cooled while a flexible Exhaust Hose sends heat outside. The air conditioner includes a window venting kit. No permanent installation is needed. The unit is easy to move from room to room and offers a truly flexible air conditioning solution.

Auto Evaporation System - The unit automatically evaporates the condensate through the Exhaust Hose. There is no need to empty the drainage tank except in humid conditions. Read and follow the instructions carefully.

To ensure optimal efficiency of the product, keep doors and windows closed when it is used as an air conditioner or dehumidifier. If the product is being used with the Fan Function only, an open window could improve air circulation.



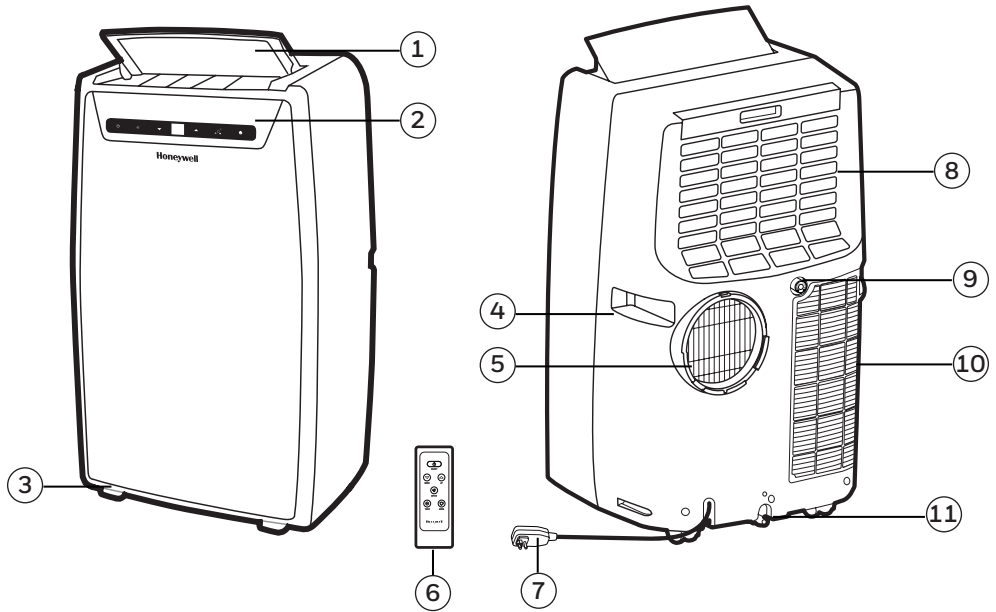
Important:

Before installing the unit, place it UPRIGHT for 1 hour before use to allow the refrigerant to stabilize. Manually adjust the air vent located at the top of the unit to adjust the direction of air flow.

- Follow installation instructions to set up the unit.
- Plug the unit into a properly grounded circuit. DO NOT plug into an extension cord.

*Applicable for models with Heating feature only.

PARTS DESCRIPTION



1) Air Outlet

2) Control Panel
(Incl. Signal Receptor)

3) Casters

4) Handle

5) Air Exhaust Outlet

6) Remote Control

7) Power Supply Cord

8) Upper Grill and Dust Filter

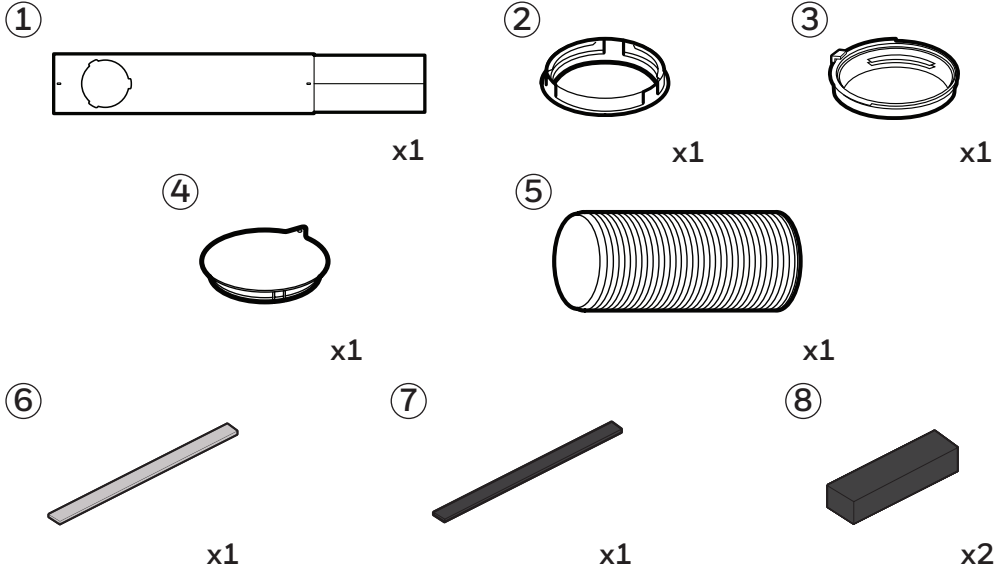
9) Upper Drain Plug
(Dehumidifier Mode)

10) Lower Grill and Dust Filter

11) Lower Drain Plug with Plastic Cap
(Air Conditioning Mode)

INSTALLATION

It is important that the installation instructions below are followed for successful installation of this Portable Air Conditioner. Please call Customer Support if you have any difficulties or queries regarding these installation procedures.



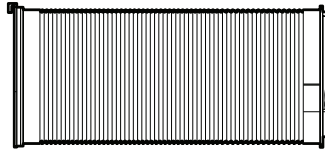
Installation Kit:

- | | | | |
|---------------------------------|-----------|--|------------|
| 1. Window Bracket Kit | (1 Set) | 5. Exhaust Hose | (1 Piece) |
| 2. Window Bracket Panel Adapter | (1 Piece) | 6. Insulation Tape (gray, adhesive) | (1 Piece) |
| 3. Exhaust Hose Connector | (1 Piece) | 7. Insulation Tape (black, adhesive) | (1 Piece) |
| 4. Hole Cover | (1 Piece) | 8. Foam Insulation Pads (non-adhesive) | (2 Pieces) |

INSTALLATION (CONTINUED)

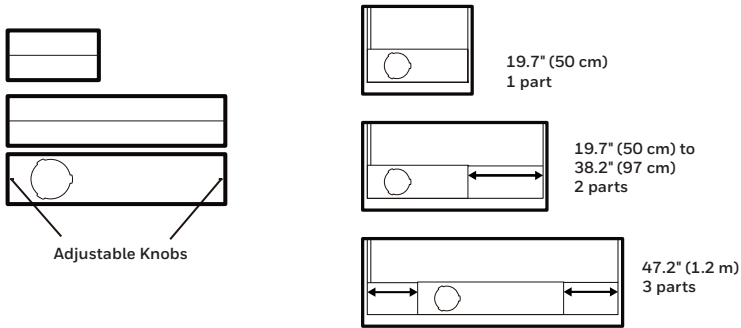
Installation Steps:

1. Remove the pre-assembled Exhaust Hose Connector, Exhaust Hose, and Window Bracket Panel Adapter from the package.



Hose:
Length: 12" to 47" (30 cm to 120 cm)

2. The Window Brackets are approximately 19.7" (50 cm) each, allowing you to install to windows and balcony doors of different heights or widths.

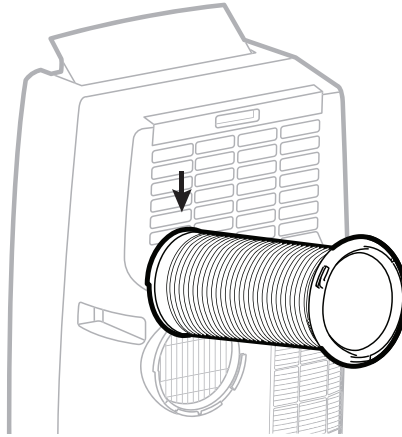


To install the window bracket to the window frame, you need to adjust the height or width of the window bracket by extending the length according to the height or width of the window. When the length is set, tighten the Adjustable Knobs (preinstalled on the window bracket) to ensure the window bracket is secured in the desired position. Use one or all three pieces of window bracket as needed.

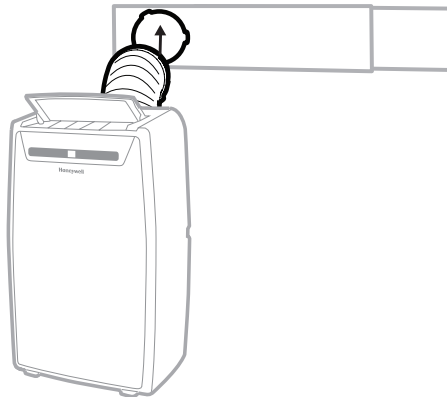
Note: After setting the window bracket to the size of your window, please remove it from the window and follow the instructions below.

INSTALLATION (CONTINUED)

3. Connect the Exhaust Hose to the rear exhaust outlet on the back of the unit. Slide in the Hose Connector from up to down. Make sure all sides are secured within the outlet slots.

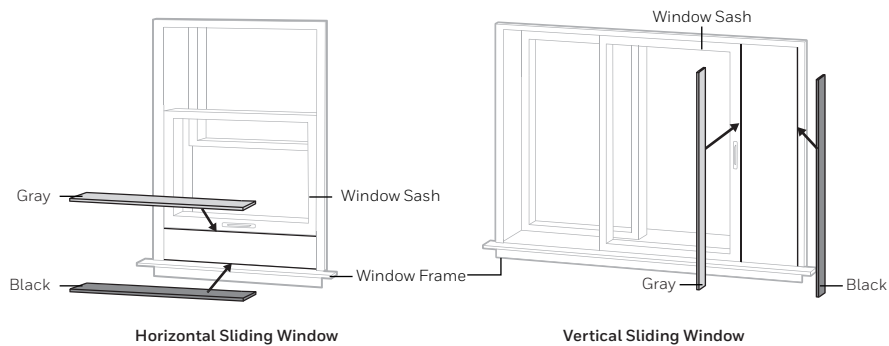


4. Connect the window bracket to the window bracket panel adapter by sliding the panel adapter into the hole of the window bracket, then rotate clockwise until it is locked in place.



INSTALLATION (CONTINUED)

5. Measure and cut the Insulation Tape (adhesive) to the full length of your window sash and frame. Peel off the adhesive backing and slowly attach them to the window sash and frame. The gray tape should attach to the movable window sash.

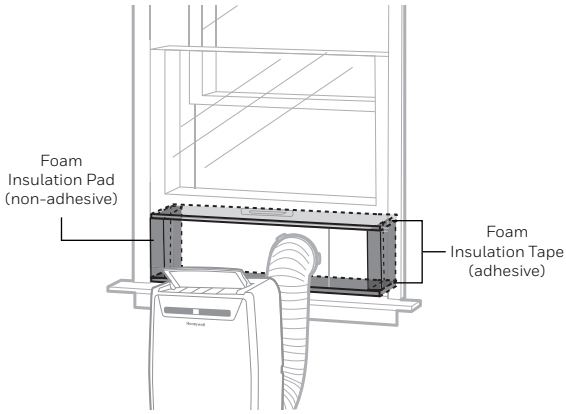


6. Connect the window bracket to the window.

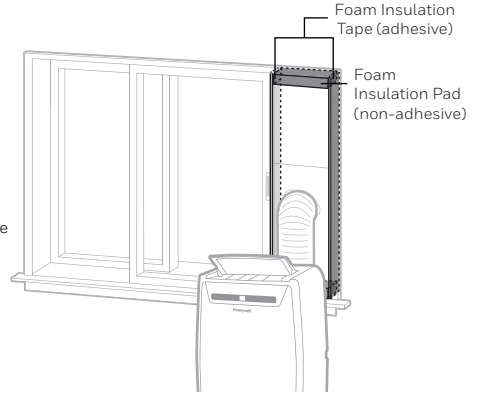


INSTALLATION (CONTINUED)

7. Position the non-adhesive Foam Insulation Pads on both edges that are not covered by the adhesive Insulation Tape to seal gaps and prevent air and insects from entering the room.



Horizontal Sliding Window

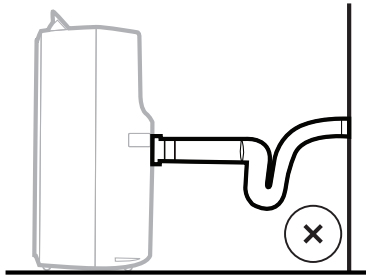


Vertical Sliding Window

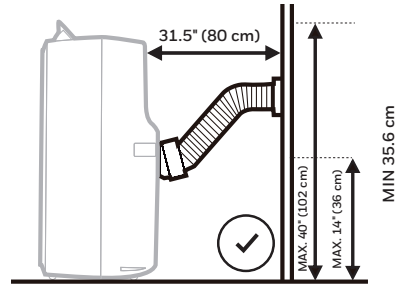
8. The air conditioner is now ready to use.

INSTALLATION (CONTINUED)

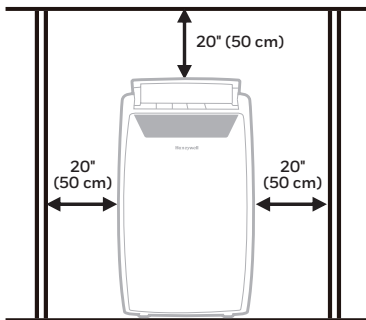
IMPORTANT: Do not change or lengthen the Exhaust Hose as this could cause the unit to malfunction.



NOT RECOMMENDED



RECOMMENDED

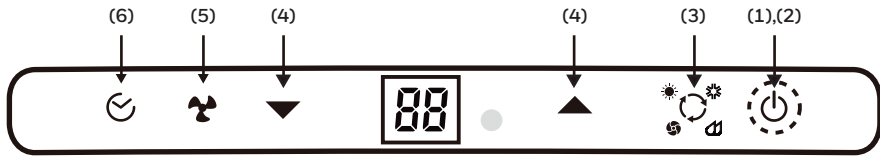


THE MINIMUM AIR SPACE

WARNING: Any warranties included with this product will be voided if an extra extension hose is added to the originally provided installation kit or if the installation is performed differently than the manufacturer's instructions, without proper consultation. Please contact Customer Support for help with installation procedures if needed.

- The supplied Exhaust Hose has a diameter of 5.91" (15cm) and can be extended from 12" to 47" (30 cm to 120 cm).
- Do not bend (to the extent shown above) the Exhaust Hose. A bent hose will block exhaust air and cause the unit to malfunction or shut off.
- Make sure the back of the unit is at least 31.5" (80 cm) away from the wall and the minimum air space from top/front/left/right is 20" (50cm). Do not place the unit in front of curtains or drapes as this could obstruct the airflow.

CONTROL PANEL



- | | |
|----------------------------------|-----------------------------------|
| 1) Power Control / Standby Mode | 4) Timer/Temperature Set Controls |
| 2) Warning Light (when flashing) | 5) Fan Speed Control |
| 3) Mode Control | 6) Timer Control |

FUNCTION BUTTONS

POWER CONTROL

The Power Control turns the unit on and off. When the unit is plugged in, this button lights up indicating it is in Standby Mode ready to be switched on anytime.

WARNING LIGHT

Condensation may accumulate in the unit.


If the internal tank becomes full, the Power Control light will flash and the unit will not operate until the unit has been drained (refer to Water Condensate Drainage).

After switching the air conditioner off, you must wait 3 minutes before switching it back on again.

MODE CONTROL


Settings: Air Conditioning, Heating*, Dehumidifying, Fan.



The corresponding indicator light will illuminate to indicate the current mode setting.

- Air Conditioning Mode 
Adjust fan speed and air temperature to suit your desired comfort level.
Temperature setting range is 16°C - 32°C (61°F - 89°F).
Usage humidity range is 30%-80% RH.

*Applicable for models with Heating feature only.

FUNCTION BUTTONS (CONTINUED)

- Dehumidifying Mode 
Air is dehumidified as it passes through the unit without being in full cooling mode. If room temperature is higher than 25°C (77°F), fan speed can be adjusted. Otherwise, fan speed is preset to LOW.
Note: If the unit will be used mainly as a dehumidifier, do not connect the Exhaust Hoses. Continuous drainage is then necessary (refer to Continuous Draining for Dehumidifier Mode).

IMPORTANT: The Dehumidifier mode is used to support moisture reduction but should not be expected to dehumidify to the same degree as a standard dehumidifier-only appliance. The built-in dehumidifier automatically adjusts dehumidification based on ambient room temperatures. It is not possible to adjust to a desired humidity percentage. The front display only shows the current AND desired temperatures. It does not show humidity levels.
- Fan Mode 
For air circulation without air conditioner cooling.
- Heating Mode* 
This unit uses Heat-Pump technology which reverses the air conditioning cooling cycle by transferring heat from the outside into the room – this is more energy efficient than traditional electric heaters that generate heat instead of transferring heat into the room. These properties make this heater ideal for use in autumn or spring when outdoor temperatures are not severely cold, or as supplemental heating in colder rooms of your home.

When heating mode is selected, the indicator light will shine. Heating is activated only when the ambient temperature is below 25°C (77°F). In this mode, the desired temperature can be set between 16°C- 25°C (61°F - 77°F).

Note: The Exhaust Hoses must vent outside the room when using heating mode.

IMPORTANT: The Heat pump draws moisture from the air which then condenses into the internal water tank. The unit will pause operation when the tank is full and will restart when the tank has been emptied. It is recommended to use the heating mode in a room with 50% humidity or lower. Avoid operating moisture-producing products or appliances such as a humidifier or a kettle when using the unit in heating mode. See the "Draining Water Condensate in Heat Mode" section for more information on draining the water tank.

*Applicable for models with Heating feature only.

FUNCTION BUTTONS (CONTINUED)

TEMPERATURE / TIMER SET CONTROLS

- Used for adjusting the timer and thermostat.
- The default display is the set temperature.
- In cooling mode, when ▼ or ▲ button is pressed, the set temperature is displayed and may be adjusted. After 10 seconds, the display will revert back to room temperature. Temperature is only adjustable in cooling mode. The time is adjustable between 1 - 24 hours.

Note: By pressing both ▼ or ▲ buttons at the same time, the display will toggle between Celsius(°C) and Fahrenheit(°F).

FAN SPEED CONTROL

3 settings: High, Medium, and Low.

TIMER CONTROL

While the unit is turned on, press the timer button, then press the ▼ or ▲ to select the number of hours you would like the unit to continue to run. The unit will turn off automatically.

AUTO TURN OFF:

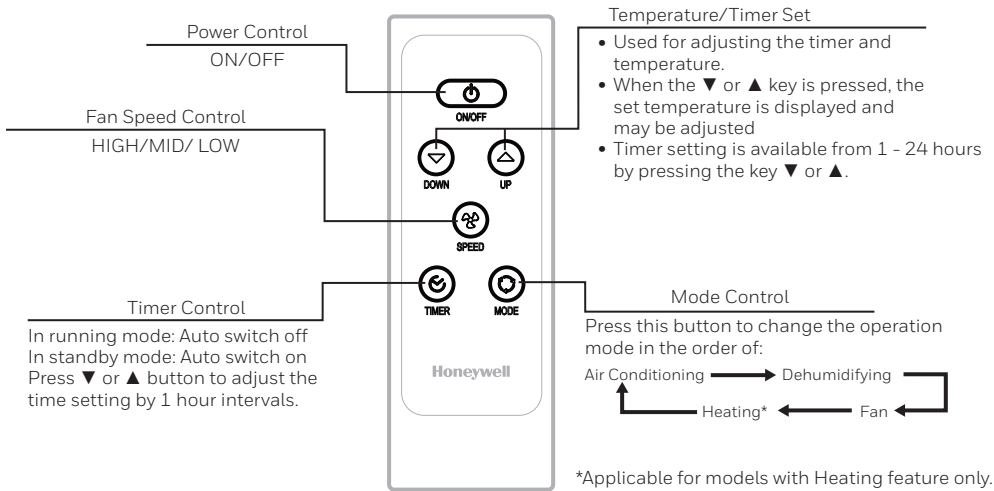
While unit is running, press the ▼ or ▲ button to select the number of hours you want the unit to run in air conditioning mode.

AUTO TURN ON:

When unit is in standby mode (plugged in with power light on), press the ▼ or ▲ button to select the number of hours until you want the unit to automatically start running.

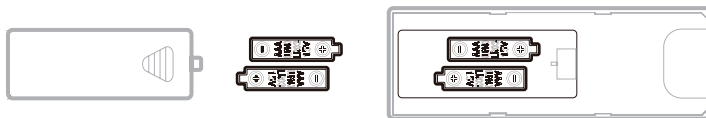
REMOTE CONTROL

The functions work the same as the Portable Air Conditioner's Control Panel. All key functions can be accessed from the remote control.



Note:

- Battery Installation: Remove the cover on the back of the remote control and insert two AAA batteries with + and - pointing in the proper direction according to the polarity markings.



Caution:

- Use only two AAA or IEC R03 1.5V batteries.
- Remove the batteries if the remote control is not in use for a month or longer.
- All batteries should be replaced at the same time. Do not mix with old batteries.
- Do not mix alkaline, standard (carbon-zinc), or rechargeable (nickel-cadmium) batteries.
- Properly dispose of used batteries.

This device complies with part 15 of the FCC Rules. Operation is subject to following two conditions: (1) This device may not cause harmful interference, and (2) this device must accept any interference received, including interference that may cause undesired operation.

This equipment has been tested and found to comply with the limits for a Class B digital device, pursuant to part 15 of the FCC Rules. These limits are designed to provide reasonable protection against harmful interference in a residential installation. This equipment generates, uses, and can radiate radio frequency energy and, if not installed and used in accordance with the instructions, may cause harmful interference to radio communications. However, there is no guarantee that interference will not occur in a particular installation. If this equipment does cause harmful interference to radio or television reception, which can be determined by turning the equipment off and on, the user is encouraged to try to correct the interference by one or more of the following measures:

- Reorient or relocate the receiving antenna.
- Increase the separation between the equipment and the receiver.
- Connect the equipment into an outlet on a circuit different from that to which the receiver is connected.
- Consult the dealer or an experienced radio/TV technician for help.

Caution: Any changes or modifications not expressly approved by the party responsible for compliance could void the user's authority to operate the equipment.

Appliance Maintenance:

1. Turn off the appliance before disconnecting the power supply.
2. Only clean the appliance with a soft, dry cloth.

Dust Filter Maintenance:

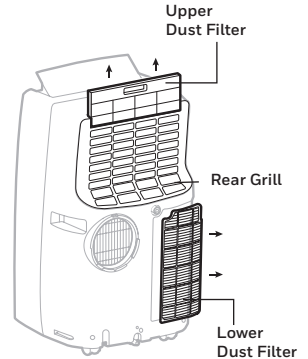
The dust filter is to be cleaned every two weeks to maintain air cooling efficiency. Please follow the below instructions to clean the dust filter:

1. Switch off and unplug the air conditioner from the electrical outlet.
2. Remove the Upper Dust Filter and the Lower Dust Filter.
3. Gently wash using water and/or diluted liquid dishwashing detergent.

Rinse thoroughly and gently shake excess water from the filters. Make sure the filters are dry before reinstalling.

Note: You may use a vacuum cleaner to remove dust.

4. Replace the Upper Dust Filter and the Lower Dust Filter onto the unit.



WARNING: DO NOT power or operate the Air Conditioner when cleaning or when any or both of the Rear Grills are removed from the unit, or if there is a loose-fitting Rear Grill(s). DO NOT attempt to handle or touch any of the parts or wiring inside the air conditioner after the Rear Grill(s) are removed from the unit. Doing so can cause serious injury or electrical shock.

End of Season Storage & Maintenance:

If the appliance will not be used for a long time, follow these steps:

1. Be sure to drain the leftover water condensate. Remove the lower drain plug and use a shallow pan to collect the water (make sure to replace the drain plug when finished).
2. To dry excess moisture, run the unit in Fan-only mode for 30 minutes before storing.
3. Turn off and unplug the air conditioner from the power supply.
4. Remove the dust filter and clean with water. Dry the dust filter and then reinstall.
5. Disconnecting the Window Installation Kit:
 - Carefully remove the exhaust hose from the back of the unit.
 - Carefully remove and uninstall the Window Bracket and Window Panel Adapters from the window.
 - It is recommended to store the Window Kit parts in a bag together with the Remote Control, placing them together with the air conditioner unit.
 - If needed, you can clean the Window Kit with a damp cloth and water before storing. Make sure all parts of the Window Kit are dry before storage.
6. It is recommended to coil the power cord before storing to ensure the cord is protected from bends and creases.
7. Cover the Portable Air Conditioner with a cloth before storage to prevent dust and scratches from collecting on the surface of the unit.

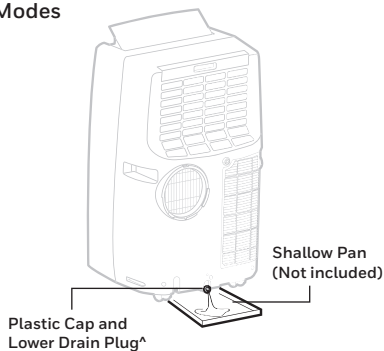
WATER CONDENSATE DRAINAGE

When there is excess water condensate inside the unit, the air conditioner stops running and shows a warning light (the Power Control button flashes with a red light). This warning light indicates that the water condensate needs to be drained using the following procedures:

Manual Draining in Cooling, Dehumidifying, and Heating* Modes

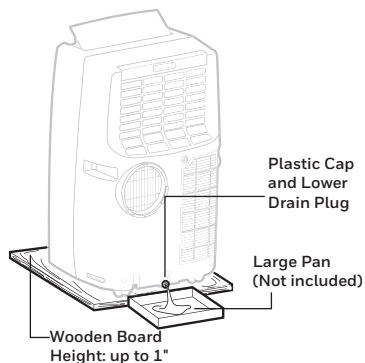
Water may need to be drained in high-humidity areas.

1. Unplug the unit from power source.
2. Place a shallow pan under the lower rubber drain plug. See diagram.
3. Remove the lower rubber drain plug.
4. Water will drain out and collect in the shallow pan.
5. After the water is drained, replace the lower rubber drain plug firmly.
6. You can now turn on the unit.



If you find that there is a high volume of condensate and a shallow pan is not enough for your use, you can use a large pan to drain. Follow the below instructions carefully:

1. Find a flat, stable board that is up to 1" thick. The base could be a wooden board purchased from your local hardware store, with minimum base dimensions of 20" (length) x 17" (width) x 1" (thick).
2. The base should be large and sturdy enough to fit the Portable Air Conditioner on top. The air conditioner must be stable and not rock or move when positioned on the base and not easily topple over.
3. Drain the water from the lower drain plug as needed into a larger pan or through a drain tube. If using a drain tube, you can purchase vinyl tubing which has an outside diameter of 5/8" and an inside diameter of 1/2". Remember the drain tube must be positioned lower than the drain plug so the water condensate does not flow backward back into the air conditioner.



WARNING: For safety reasons, the Portable Air Conditioner must NOT be positioned on a base that is higher than 1" from the floor. This is only recommended if you have a stable, flat base to position the Portable Air Conditioner on safely.

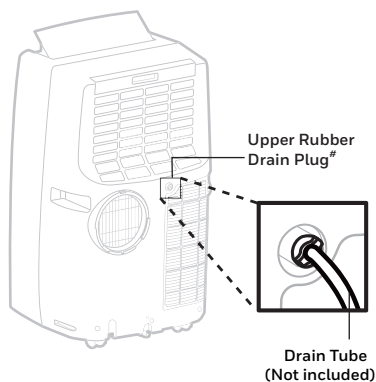
*Applicable for models with Heating feature only.

*MN4CFS9/ MN4HFS9/ MN4CFSBB9/ MN4HFSBB9/ MN4CFSWW9/ MN4HFSWW9: External Dia.: 17 mm

Continuous Draining in Dehumidifier Mode

While using the unit in dehumidifier mode, continuous drainage is recommended.

1. Unplug the unit from power source.
2. Remove the upper rubber drain plug.
Some residual water may spill so please have a pan to collect the water. See diagram.
3. Connect the drain connector to a 3/4" hose or standard garden hose (not included).
4. The water can be continuously drained through the drain tube into a floor drain or down drain.
5. Replace the drain plug.
6. You can now turn on the unit.



IMPORTANT: It is NOT recommended to connect the drain hose for continuous drainage while the unit is switched ON in Air Conditioning Cooling mode. Doing so can reduce the cooling efficiency of the Portable Air Conditioner. Only drain the water condensate when the unit is switched off. Continuous drainage is only suitable when the unit is set up in Dehumidifier mode.

Too long of a drain hose or limited height difference from drain plug to floor can reduce the water drainage.

IMPORTANT: The water cannot be drained using the continuous drain option in Heating* mode. In Heating mode, the internal water tank collects condensate faster and may require more frequent emptying of the tank in more humid rooms. It is recommended to use the heating mode in a room with 50 % humidity or lower. Avoid operating moisture-creating products or appliances such as a humidifier or a kettle when using the unit in heating mode.

*Applicable for models with Heating feature only.

#MN4CFS9/ MN4HFS9/ MN4CFSBB9/ MN4HFSBB9/ MN4CFSWW9/ MN4HFSWW9: External Dia.: 17 mm

TROUBLESHOOTING GUIDE

The following troubleshooting guide addresses the most common problems. If problems persist, call customer support. Unplug and disconnect the appliance from the power source before attempting to troubleshoot.


PROBLEM	POSSIBLE CAUSE	SOLUTION
The air conditioning unit does not start	No electricity.	Check for power.
	Batteries in the remote control need to be replaced.	Change remote control batteries.
	The power cord is not properly plugged in.	Remove and reconnect the power cord.
	The safety LCDI plug has tripped (USA/Canada/Mexico only).	Reset the safety LCDI plug. If problem persists, contact Customer Support (USA/Canada/Mexico only).
Runs a short while only	The thermostat temperature setting is too close to room temperature.	Lower the set temperature.
	Air outlet is blocked.	Make sure the Exhaust Hose is properly connected.
	There are tight bends in the Air Exhaust Hose.	Connect Exhaust Hose as per instructions on page 4.
In Heating mode*, the unit keeps switching off frequently	The room is too humid. Water Tank needs to be emptied.	In Heating mode, the heat pump condenses moisture from the air into the internal water tank. In more humid rooms, it will collect faster and need to be emptied out more frequently. It is recommended to use the heating mode in 50% humidity or less. Switch off any appliances such as a humidifier or kettle to avoid extra moisture buildup in the room when operating in Heating mode.

*Applicable for models with Heating feature only.

TROUBLESHOOTING GUIDE (CONTINUED)

PROBLEM	POSSIBLE CAUSE	SOLUTION
Runs but not cooling	A door or window is open.	Make sure the window or door is closed.
	The dust filter is dirty.	Clean the dust filter.
	The Exhaust Hose is detached.	Reinstall Exhaust Hose properly (refer to Installation section).
	Temperature setting is too high.	Reduce temperature setting on control panel.
	Air outlet or intake is blocked.	Remove blockage.
	Room exceeds recommended size.	Move unit to smaller room.
	Large size or number of windows are decreasing cooling effectiveness.	Cover windows with curtains or blinds.
Will not run and Power button is blinking (water full indicator)	Excess water condensate inside the tank.	Drain the water (refer to Water Condensate Drainage).

TROUBLESHOOTING GUIDE (CONTINUED)

PROBLEM	POSSIBLE CAUSE	SOLUTION
Heater* is not switching ON.	Heating function not activated yet. The ambient temperature is too high.	Check that the Heating function has been activated.  will be illuminated when the Heater is switched ON.
	Heating is activated only when the ambient temperature is below 25°C (77°F).	Switch on the Heating function when the ambient temperature reaches below 25°C (77°F).

*Applicable for models with Heating feature only.

LISEZ ET CONSERVEZ CES INSTRUCTIONS

IMPORTANTES INSTRUCTIONS DE SÉCURITÉ. LIRE ATTENTIVEMENT ET CONSERVER POUR S'Y RÉFÉRER ULTÉRIEUREMENT. EN CAS D'INCOHÉRENCE OU DE CONFLIT ENTRE LA VERSION ANGLAISE ET TOUTE AUTRE VERSION LINGUISTIQUE DU CONTENU DE CE DOCUMENT, LA VERSION ANGLAISE PRÉVAUDRA.

MISE EN GARDE:

- NE PAS faire fonctionner l'appareil avec une fiche endommagée ou une prise murale mal fixée. Si le câble d'alimentation est endommagé, il doit être remplacé par le fabricant, son agent de service ou des personnes possédant les mêmes compétences afin d'éviter tout danger.
- NE PAS couvrir l'entrée et la sortie d'air lors de l'utilisation.
- NE PAS placer d'objets, en particulier d'objets lourds ou chauds, sur le dessus de l'appareil. NE PAS s'asseoir sur l'appareil.
- Toujours éteindre et débrancher l'appareil lors de son nettoyage ou de son entretien.
- NE PAS utiliser l'appareil s'il est endommagé.
- Si un entretien est nécessaire, contactez un agent d'entretien autorisé.
- Débranchez l'appareil lorsqu'il est entreposé ou non utilisé.
- NE PAS tirer ou porter l'appareil par le câble d'alimentation.
- NE PAS pincer le câble d'alimentation dans la porte et NE PAS le tirer le long de bords ou de coins pointus.
- NE PAS faire passer le cordon électrique sous la moquette ou le recouvrir avec un tapis.
- Faire preuve de prudence pour éviter de trébucher sur le cordon.
- NE PAS utiliser l'appareil dans les cas suivants:
 - Près d'une source de feu
 - Dans des zones où sont entreposés de l'essence, du soufre, de l'huile, de la peinture ou d'autres produits inflammables.
 - Dans une zone où il peut y avoir des projections d'eau.


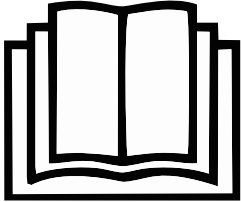


- NE PAS toucher la fiche ou l'appareil avec les mains mouillées.
- Les précautions de sécurité de base doivent toujours être suivies lors de l'utilisation d'appareils électriques.
- Cet appareil a été fabriqué pour être utilisé en milieu domestique et ne doit pas être utilisé à d'autres fins.
- **Utilisez uniquement le kit d'installation fourni pour installer cet appareil. NE PAS tenter d'allonger le tuyau ou d'installer cet appareil à l'aide de méthodes autres que celles indiquées dans ce manuel. Une installation incorrecte annulera toute garantie existante.**
- NE PAS UTILISER de rallonge avec cet appareil.
- Cet appareil peut être utilisé par des enfants âgés de 8 ans et plus, ainsi que des personnes ayant des capacités réduites au niveau physique, sensoriel ou mental, ou un manque d'expérience et de connaissances si ils ont été supervisés ou instruits à propos de l'utilisation de l'appareil de manière sûre et s'ils ont compris les risques encourus. Les enfants ne doivent pas jouer avec l'appareil. Le nettoyage ou la maintenance ne devra pas être effectuée par des enfants, sauf si ces derniers sont âgés de plus de 8 ans et s'ils sont supervisés.
- Ne jamais insérer les doigts ou des tiges dans la sortie d'air. Prenez bien soin d'avertir les enfants de ces dangers.
- Le fabricant n'est pas responsable des blessures causées aux personnes ou aux biens en raison d'un non-respect des instructions d'entretien et d'une utilisation inappropriée de l'appareil.
- L'appareil sera installé en conformité avec les réglementations nationales sur le câblage.
- L'appareil ne doit pas être utilisé par des personnes (y compris des enfants) dont les capacités physiques, sensorielles ou mentales sont réduites, ou qui n'ont pas l'expérience ou les connaissances nécessaires, sauf si elles bénéficient d'une surveillance ou ont reçu des instructions.

SÉCURITÉ (SUITE)

- Surveiller les enfants pour s'assurer qu'ils ne jouent pas avec l'appareil.
- Les équipements et installations électriques réglementés par la législation nationale doivent être respectés.
- L'appareil doit être transporté debout.
- N'allumez pas l'appareil pendant au moins une heure avant de le démarrer.
- Il est essentiel que l'appareil soit connecté à une connexion à la terre efficace vérifiée par un électricien qualifié.
- La stagnation de possibles fuites de gaz réfrigérants dans des pièces non ventilées pourrait entraîner un risque d'incendie ou d'explosion si le réfrigérant entre en contact avec des radiateurs électriques, des poêles ou d'autres sources d'inflammation.
- Usez de prudence lors de l'entreposage de l'appareil pour éviter les défauts mécaniques.
- Seules les personnes autorisées par une agence accréditée certifiant leurs compétences pour gérer des réfrigérants en conformité avec la législation du secteur doivent travailler sur des circuits réfrigérants.
- N'utilisez pas de moyens permettant d'accélérer le processus de dégivrage ou de nettoyage autres que ceux qui sont recommandés par le fabricant.
- Les substances inflammables ou les récipients sous pression (p. ex. des bombes aérosols) doivent être éloignés d'au moins 50 cm.
- Utilisez uniquement les outils recommandés par le fabricant pour le dégivrage ou le nettoyage.
- NE PAS faire fonctionner votre climatiseur dans une pièce humide comme une salle de bain ou une buanderie.
- L'appareil fonctionne de manière optimale lorsque l'humidité est comprise entre 30 et 80 %.

SÉCURITÉ (SUITE)

- Cet appareil doit être utilisé dans une pièce ayant une bonne ventilation entre l'appareil et les murs/meubles ou autres objets. La taille de la pièce doit correspondre à la surface de la pièce spécifiée pour le fonctionnement par le fabricant et l'appareil doit être bien entretenu pour éviter les dommages mécaniques.
- Avertissement pour garder les ouvertures de ventilation libres de toute obstruction.
- Ne pas percer ni brûler les réfrigérants.
- Sachez que les réfrigérants peuvent ne pas dégager d'odeur.
- NE PAS modifier cet appareil de quelque manière que ce soit pour éviter tout danger.
- Toutes les procédures de travail qui touchent aux moyens de sécurité ne seront effectuées que par des personnes compétentes.

SYMBOLE	REMARQUE	EXPLICATION
<p>R32</p> 	<p>MISE EN GARDE</p>	<p>Ce symbole indique que cet appareil utilise un réfrigérant inflammable. Si le réfrigérant fuit et est exposé à une source d'allumage externe, il y a un risque d'incendie.</p>
	<p>ATTENTION</p>	<p>Ce symbole indique que le mode d'emploi doit être lu attentivement.</p>
	<p>ATTENTION</p>	<p>Ce symbole indique qu'un personnel d'entretien doit manipuler cet équipement en se référant au manuel d'installation.</p>
	<p>ATTENTION</p>	<p>Ce symbole indique que des informations sont disponibles, comme le mode d'emploi ou le manuel d'installation.</p>

Avertissements supplémentaires pour les appareils avec gaz réfrigérant R32

- Lisez attentivement les instructions avant d'utiliser l'appareil.
- Le gaz réfrigérant R32 est conforme aux UL60335-2-40 / UL60335-1.
- Cet appareil contient un certain nombre de grammes (voir l'étiquette signalétique à l'arrière de l'appareil) de gaz réfrigérant R32. La quantité maximale de charge de réfrigérant n'est pas supérieure à R32 1,84 kg selon UL60335-2-40.
- Lors du dégivrage ou du nettoyage, n'utilisez aucune méthode autre que celles recommandées par le fabricant.
- Ne placez pas l'appareil dans une pièce présentant des sources d'ignition continues (p. ex. flamme nue, appareil à gaz en marche ou appareil de chauffage électrique en marche).
- Ne pas percer et ne pas brûler.
- Ne percez aucune partie du circuit de réfrigérant.
- Les gaz réfrigérants peuvent être inodores.
- L'appareil doit être installé, utilisé et stocké dans une zone supérieure à R32 gas: 4 m².
- L'accumulation de fuites éventuelles de réfrigérant dans une pièce non ventilée pourrait provoquer un incendie ou une explosion si le réfrigérant entrait en contact avec des radiateurs électriques, des cuisinières ou d'autres sources d'inflammation.
- Seules les personnes autorisées par un organisme accrédité certifiant leur compétence à manipuler des frigorigènes conformément à la législation du secteur doivent travailler sur le circuit frigorifique.
- Seules les personnes autorisées par un organisme accrédité certifiant leur compétence à manipuler des frigorigènes conformément à la législation du secteur doivent travailler sur le circuit frigorifique.
- Toutes les procédures de travail qui touchent aux moyens de sécurité ne seront effectuées que par des personnes compétentes.

- Les réparations doivent être effectuées en fonction des recommandations du fabricant. La maintenance et les réparations qui nécessitent l'aide d'autres personnels qualifiés doivent être effectuées sous la supervision de spécialistes de l'utilisation de réfrigérants inflammables.



Les réparations doivent être effectuées seulement sur les recommandations du fabricant. Les opérations d'entretien et de réparation qui requièrent l'intervention d'une personne qualifiée doivent être effectuées sous la supervision de spécialistes dans l'utilisation des réfrigérants inflammables.

Transport d'équipement contenant des réfrigérants inflammables Conformité aux règles de transport.

1. Marquage des équipements à l'aide de panneaux Conformité aux réglementations locales.
2. Élimination des équipements utilisant des réfrigérants inflammables Conformité aux réglementations nationales.
3. L'entreposage de l'équipement doit être en conformité avec les instructions du fabricant.
4. La protection de l'emballage d'entreposage doit être conçue de telle sorte que les dommages mécaniques à l'équipement à l'intérieur de l'emballage ne provoqueront pas de fuite de la charge de réfrigérant. Le nombre maximum d'équipements pouvant être entreposés ensemble sera déterminé par les réglementations locales.
5. Ce marquage indique que ce produit ne doit pas être éliminé avec les autres ordures ménagères dans toute l'US. En vue de prévenir d'éventuels dommages à l'environnement ou à la santé humaine causés par l'élimination incontrôlée des déchets, recyclez l'appareil de manière responsable afin de favoriser la réutilisation durable des ressources matérielles. Pour renvoyer votre appareil usagé, utilisez les systèmes de retour et de collecte ou contactez le détaillant qui vous a vendu le produit. Ils récupéreront ce produit afin de permettre un recyclage sans danger pour l'environnement.



Ce marquage indique que ce produit ne doit pas être éliminé avec les autres déchets ménagers dans toute US. Pour prévenir tout effet nocif potentiel pour l'environnement ou la santé humaine provenant d'une mise au rebut incontrôlée, procéder au recyclage responsable afin de promouvoir la réutilisation durable des ressources matérielles. Pour éliminer l'appareil usagé, utiliser les systèmes de retour et collecte, ou contacter le fournisseur où le produit a été acheté. Par ce moyen, le produit sera collecté pour un recyclage garantissant le respect de l'environnement.

Nous vous félicitons d'avoir acheté ce climatiseur portatif polyvalent de Honeywell.

En ce qui concerne les informations pour l'installation, la manipulation, l'entretien, le nettoyage et la mise au rebut de l'appareil, référez-vous aux paragraphes ci-après de la notice.

CONSEILS D'UTILISATION

Les climatiseurs portatifs de Honeywell sont idéaux pour le refroidissement localisé. Le compresseur, le condenseur et l'évaporateur sont logés dans une enceinte compacte. L'air est filtré, déshumidifié et refroidi tandis qu'un tuyau de sortie d'air souple évacue la chaleur à l'extérieur. Le climatiseur comprend une trousse d'évacuation pour fenêtre. Aucune installation permanente n'est requise. L'appareil est facile à déplacer de pièce en pièce et offre une solution de climatisation véritablement flexible.

Système d'évaporation automatique - Le dispositif évacue automatiquement la chaleur par le tuyau de sortie d'air. Sauf en présence d'une humidité très élevée, la vidange du réservoir n'est pas requise. Lire attentivement les consignes et les suivre minutieusement.

Pour assurer l'efficacité optimale du produit, garder les portes et les fenêtres fermées quand il est utilisé comme climatiseur ou déshumidificateur. Si seule la fonction de ventilation du dispositif est en marche, ouvrir une fenêtre pourrait améliorer la circulation de l'air.



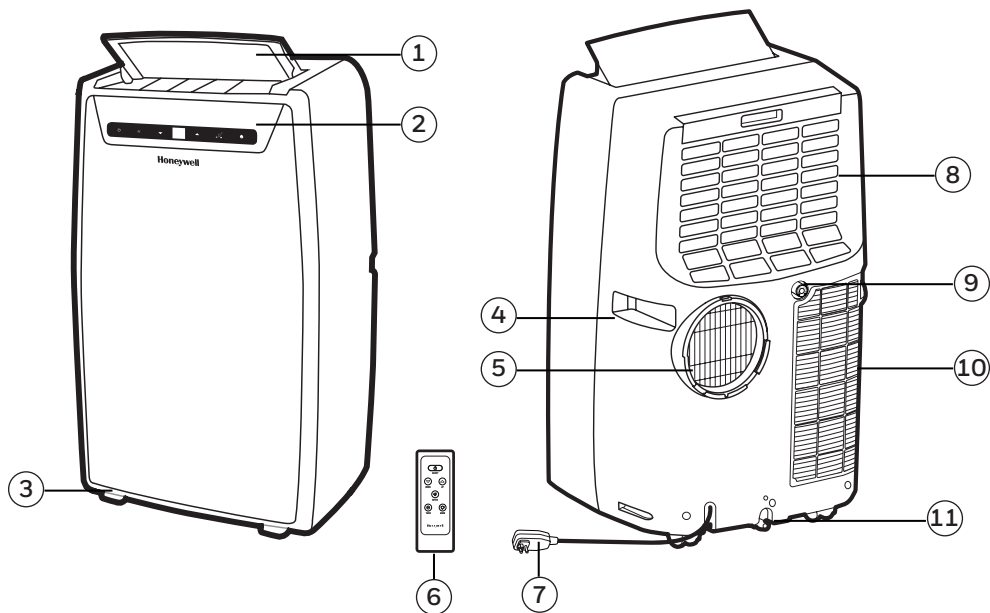
Important:

Avant d'installer l'appareil, placez le en position verticale 1 heure avant de l'utiliser pour permettre au réfrigérant de se stabiliser. Ajustez manuellement le ventilateur localisé sur le haut de l'appareil afin d'ajuster la direction du flux d'air.

- Suivre les consignes d'installation de l'appareil.
- Brancher l'appareil à un circuit mis à la terre. NE PAS brancher au moyen d'une rallonge électrique.

*Ne s'applique qu'aux modèles avec chauffage.

DESCRIPTION DES PIÈCES



1) Sortie d'air

2) Panneau de commande
(récepteur de signaux compris)

3) Roulettes

4) Poignée

5) Raccord du tuyau d'évacuation

6) Télécommande

7) Cordon d'alimentation

8) Grille supérieure et filtre à poussière

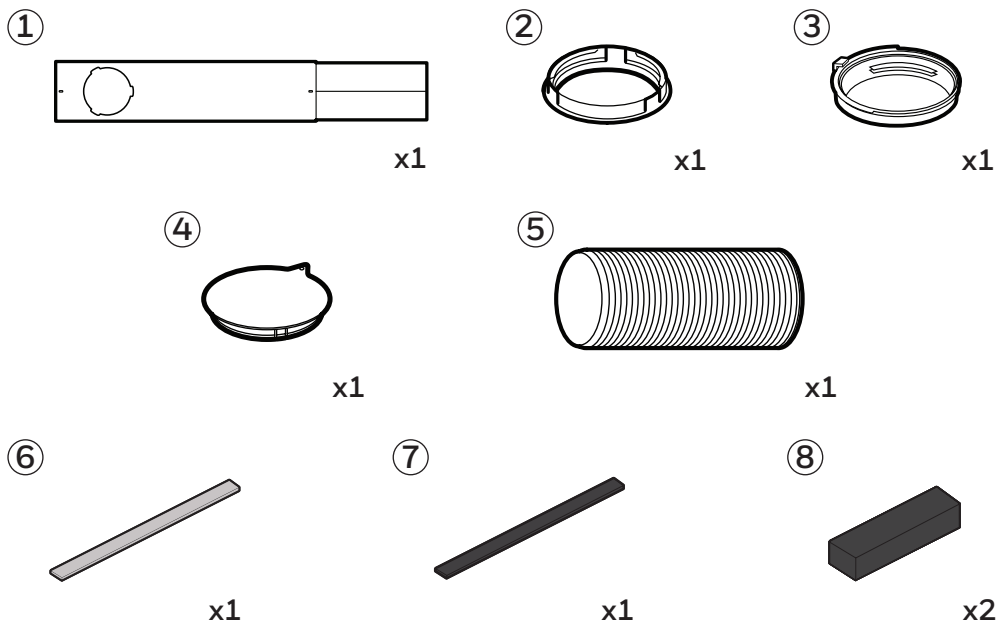
9) Bouchon de vidange supérieur
(Mode déshumidificateur)

10) Grillage inférieur et filtre à poussière

11) Capuchon de plastique et bouchon
de vidange (mode climatisation)

INSTALLATION

Il est important que les consignes d'installation ci-dessous soient respectées pour réussir l'installation de ce climatiseur portatif. Si vous éprouvez des difficultés ou avez des questions concernant ces procédures d'installation, veuillez communiquer avec notre service à la clientèle.

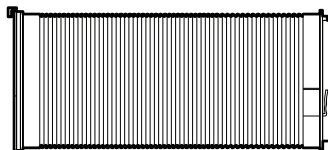


Kit d'installation:

- | | | | |
|--|-----------|---|------------|
| 1. Trousse de supports pour fenêtre | (1 jeu) | 5. Tuyau | (1 pièce) |
| 2. Adaptateur de support de fenêtre pour panneau | (1 pièce) | 6. Ruban isolant (gris, adhésif) | (1 pièce) |
| 3. Raccord de tuyau | (1 pièce) | 7. Ruban isolant (noir, adhésif) | (1 pièce) |
| 4. Couvercle pour l'orifice | (1 pièce) | 8. Coussinets d'isolation en mousse (non adhésif) | (2 pièces) |

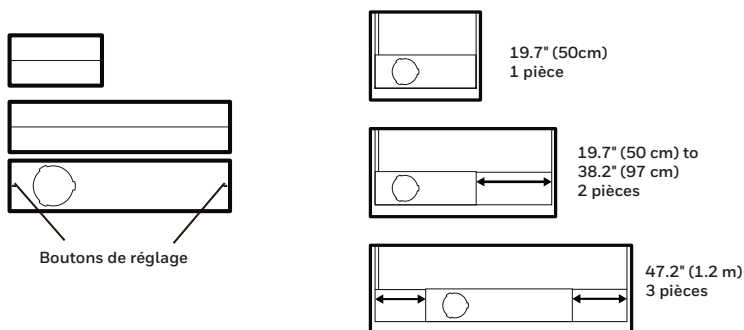
Étapes de l'installation:

1. Le raccord du tuyau d'évacuation, le tuyau d'évacuation et l'adaptateur de support de fenêtre sont pré-assemblés dans l'emballage.



Tuyau :
Longueur: 12" à 47" (30cm à 120cm)

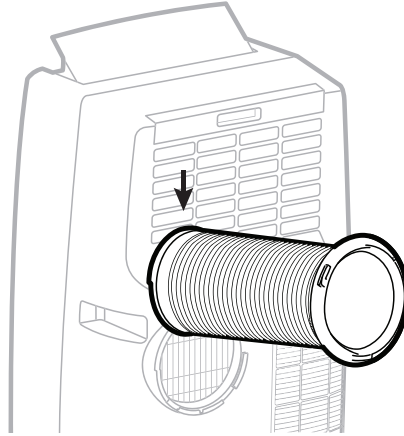
2. Les supports de fenêtre mesurent environ 19.7" (50 cm), ce qui permet l'installation dans des fenêtres et des portes de balcon de différentes hauteurs ou largeurs.



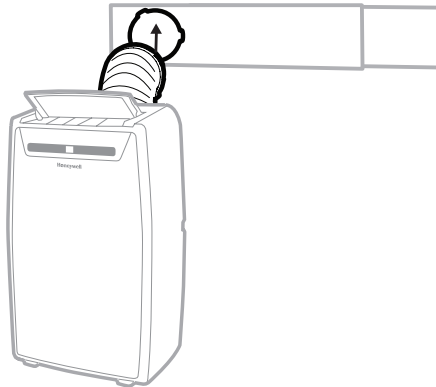
Pour installer le support de fenêtre à son châssis, il faut régler la hauteur ou la largeur du support de fenêtre en adaptant la longueur en fonction de la hauteur ou de la largeur de la fenêtre ou de la porte du balcon. Une fois la longueur réglée, serrer les vis à oreilles (préinstallées sur le support de la fenêtre) pour faire en sorte que le support de la fenêtre soit fixé dans la position souhaitée. Utiliser une seule pièce du support de fenêtre ou les trois s'il y a lieu.

Remarque: Après avoir réglé le support de fenêtre à la taille de votre fenêtre, il convient de l'en retirer et de suivre les instructions ci-dessous.

3. Branchez le tuyau d'évacuation au raccord de tuyau situé à l'arrière de l'appareil. Faites coulisser le raccord de tuyau de haut en bas. Assurez-vous que tous les côtés soient bien fixés dans les fentes de sortie.

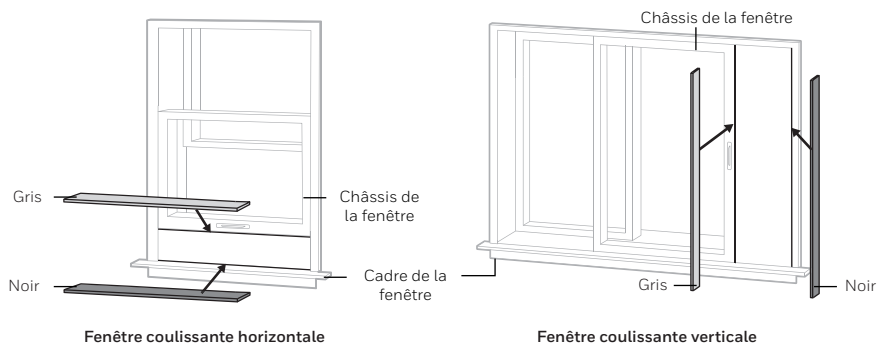


4. Raccordez le support de fenêtre à l'adaptateur de panneau du support de fenêtre en faisant glisser l'adaptateur de panneau dans les trous du support de fenêtre, puis tournez dans le sens des aiguilles d'une montre jusqu'à ce qu'il soit verrouillé en place.



INSTALLATION (SUITE)

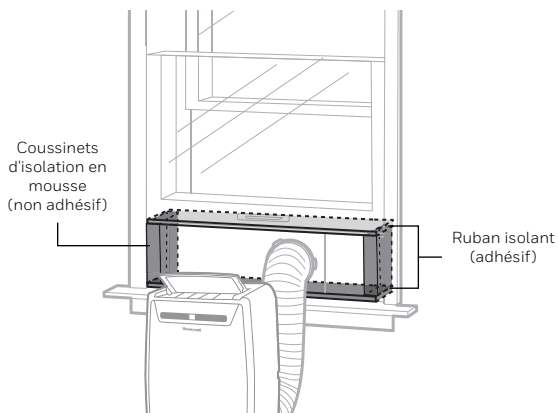
5. Mesurez et coupez les rubans isolants en mousse sur toute la longueur du châssis et du cadre de votre fenêtre. Décollez la pellicule adhésive et fixez-les lentement au châssis et au cadre de la fenêtre. Le ruban gris doit être fixé au châssis mobile de la fenêtre.



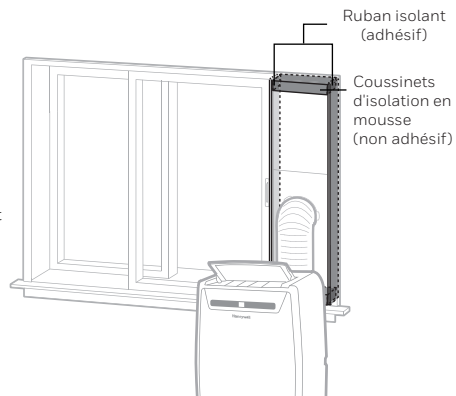
6. Installer le support de fenêtre dans la fenêtre.



- Placez les coussinets en mousse non adhésifs sur les deux bords qui ne sont pas couverts par le ruban adhésif en mousse, afin de sceller les espaces et d'empêcher l'air et les insectes de pénétrer dans la pièce.



Fenêtre coulissante horizontale

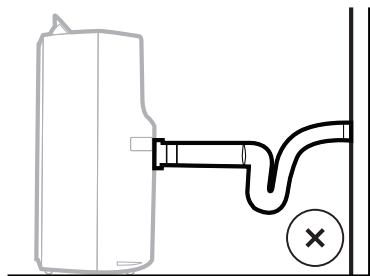


Fenêtre coulissante verticale

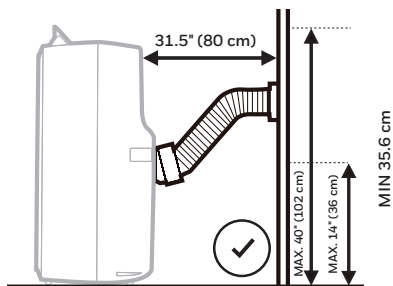
- Le climatiseur portable est maintenant prêt à être utilisé.

INSTALLATION (SUITE)

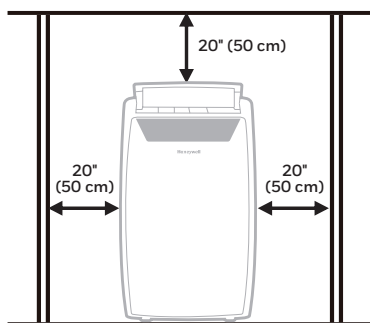
Important: Ne changez pas ou ne rallongez pas le tuyau d'évacuation car cela pourrait entraîner un dysfonctionnement de l'appareil.



DÉCONSEILLÉ



RECOMMANDÉ

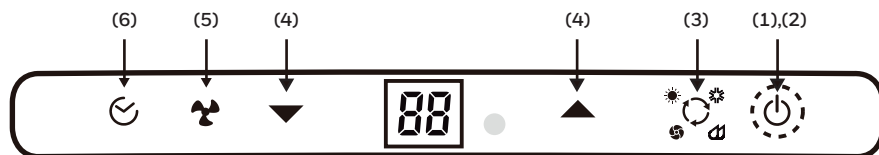


L'ESPACE AÉRIEN MINIMUM

AVERTISSEMENT: Toute garantie visant ce produit sera annulée si un tuyau de rallonge supplémentaire est ajouté au kit d'installation fournie initialement ou si l'installation est effectuée sans suivre les consignes du fabricant et sans consultation appropriée. S'il y a lieu, veuillez communiquer avec le service à la clientèle pour obtenir de l'aide à l'égard des procédures d'installation.

- Le diamètre du tuyau d'évacuation fourni est de 5.91" (15cm) et celui-ci peut être déployé de 12" à 47" (30 cm à 120 cm).
- Ne pas plier le tuyau d'évacuation (de la façon illustrée ci-dessous). Un tuyau plié empêchera l'évacuation de l'air et provoquera le fonctionnement défectueux ou l'arrêt de l'appareil.
- Assurez-vous d'une distance minimale de 31.5" (80 cm) entre l'arrière de l'appareil et un mur et l'espace aérien minimum du haut/de l'avant/de la gauche/de la droite est de 20" (50cm). Ne pas placer l'appareil en face de rideaux ou tentures, car cela pourrait gêner la circulation de l'air.

PANNEAU DE COMMANDE TACTILE



1) Interrupteur / Mode Veille

2) Voyant d'avertissement
(lorsqu'il clignote)

3) Commande du mode

4) Commande de la minuterie /
réglage de la température

5) Commande de la vitesse
du ventilateur

6) Commande de la minuterie

TOUCHES DE FONCTION

INTERRUPTEUR

L'interrupteur permet de mettre l'appareil en marche et de l'éteindre. Lorsque l'appareil est branché, mais éteint, la touche de mise en marche reste allumée pour indiquer qu'il est en mode Veille, prêt à être mis en marche.

VOYANT

L'eau de condensation peut s'accumuler dans l'appareil. Si l'appareil est utilisé principalement en tant que déshumidificateur, ne pas brancher le tuyau d'évacuation et laisser l'air chaud revenir dans la pièce. La vidange continue est alors requise et plus efficace (se référer à la section VIDANGE CONTINUE).

Après avoir mis le climatiseur hors tension, il convient d'attendre 3 minutes avant de le remettre en marche.

COMMANDE DU MODE

Réglages: Refroidissement, chauffage*, déshumidification et ventilation.

Un voyant indique le réglage de la fonction utilisée.

- Mode refroidissement 

Régler la vitesse du ventilateur et la température de l'air de manière à vous sentir à l'aise.

La plage de réglage de la température est de 16°C à 32°C (de 61°F à 89°F).

La plage d'humidité d'utilisation est de 30 à 80 % HR.

*Ne s'applique qu'aux modèles avec chauffage.

TOUCHES DE FONCTION (SUITE)

- Mode déshumidification 

L'air est déshumidifié en circulant dans l'appareil sans qu'il soit réglé en mode refroidissement complet. Si la température ambiante est supérieure à 25°C (77°F) la vitesse du ventilateur peut être réglée; autrement, la vitesse du ventilateur est réglée à FAIBLE.

Remarque: Si l'appareil est utilisé principalement en tant que déshumidificateur, ne pas brancher le tuyau d'évacuation. La vidange continue est alors requise (se référer à la section Vidange continue en mode déshumidification).

- Mode ventilation 

Pour la circulation de l'air sans refroidissement.

- Mode chauffage* 

L'appareil est doté d'une technologie à pompe thermique capable d'inverser le cycle de refroidissement en extrayant la chaleur qui se trouve à l'extérieur pour la transférer dans la pièce – ce procédé assure un plus grand rendement énergétique que les chauffages électriques traditionnels qui génèrent la chaleur, au lieu de transférer la chaleur dans la pièce. Grâce à ces propriétés, l'appareil est idéal pour une utilisation à l'automne ou au printemps lorsque les températures extérieures ne sont pas extrêmement froides, ou en tant que chauffage d'appoint dans les pièces plus froides de la maison.

Lorsque le mode chauffage* est sélectionné, le voyant s'allumera. Le chauffage est activé uniquement lorsque la température ambiante est inférieure à 25 °C (77 °F). Lorsque l'appareil fonctionne dans ce mode, la température peut être réglée de 16 °C à 25 °C (de 61 °F à 77 °F).

Remarque: En mode chauffage Le tuyau de changement d'air doit ventiler vers l'extérieur de la salle.

IMPORTANT: La pompe thermique extrait l'humidité à partir de l'air, qui ensuite se condense dans le réservoir d'eau interne. L'appareil procédera à l'interruption de ses opérations lorsque le réservoir est plein et se remettra en route lorsque le réservoir aura été vidé. Il est recommandé d'utiliser le mode de chauffage dans une pièce ayant 50 % d'humidité ou moins. Il faut éviter de faire fonctionner des produits produisant de l'humidité ou des appareils, comme un humidificateur ou une bouilloire lorsque l'appareil est en mode de chauffage.

Pour plus d'informations sur l'évacuation du réservoir d'eau, voir la section "Évacuation de la condensation d'eau pendant le mode de chauffage".

*Ne s'applique qu'aux modèles avec chauffage.

TOUCHES DE FONCTION (SUITE)

RÉGLAGE DE LA TEMPÉRATURE/COMMANDE DE MINUTERIE

- Utilisé pour le réglage de la minuterie et du thermostat.
- L'affichage par défaut indique la température ambiante.
- En mode refroidissement, quand la touche ▼ ou ▲ est enfoncée, la température sélectionnée est affichée et peut être réglée. Après 10 secondes, l'affichage revient à la température ambiante. La température est réglable en mode refroidissement seulement. La période de fonctionnement est réglable de 1 à 24 heures.

Remarque: En appuyant sur les touches de réglage ▼ ou ▲ en même temps, l'affichage basculera entre Celsius (°C) et Fahrenheit (°F).

COMMANDE DE LA VITESSE DU VENTILATEUR

3 réglages: élevée, moyenne et faible.

COMMANDE DE LA MINUTERIE

Une fois l'appareil en marche, appuyer sur la touche de la minuterie, puis sur ▼ ou ▲ pour sélectionner le nombre désiré d'heures de fonctionnement. L'appareil s'arrêtera automatiquement.

ARRÊT AUTOMATIQUE:

Pendant que l'appareil est en marche, appuyez sur la touche ▼ ou ▲ afin de sélectionner le nombre désiré d'heures de fonctionnement en mode climatisation.

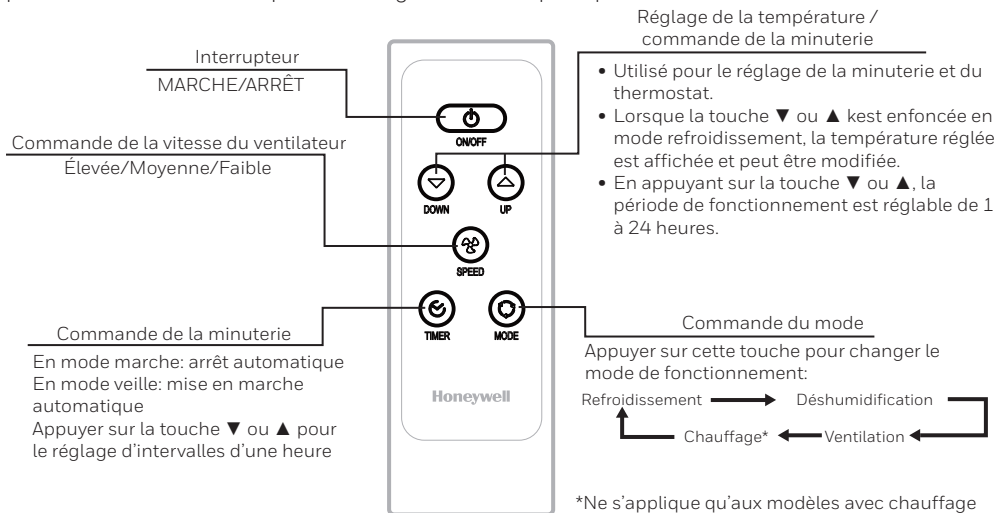
MISE EN MARCHÉ AUTOMATIQUE:

Pendant que l'appareil est en mode attente (branché, avec le voyant allumé), appuyer sur la touche ▼ ou ▲ pour sélectionner le nombre désiré d'heures qui s'écouleront jusqu'à la remise en marche de l'appareil.

*Ne s'applique qu'aux modèles avec chauffage.

TÉLÉCOMMANDE

Les fonctions correspondent à celles qui se trouvent sur le panneau de commande du climatiseur portatif. La télécommande permet de régler toutes les principales fonctions.



Remarque:

- Retirer le couvercle au dos de la télécommande et insérer deux piles AAA en les plaçant conformément à l'indicateur de polarité.



Attention:

- Utiliser seulement deux piles AAA ou IEC R03 1,5 V.
- Retirer les piles si la télécommande n'est pas utilisée pendant un mois ou plus.
- Toutes les piles doivent être remplacées en même temps; ne pas mélanger avec des piles déjà utilisées.
- Ne pas mélanger les piles alcalines, standard (zinc-carbone) ou rechargeables (nickel-cadmium).
- Disposer des piles usagées selon les consignes du fabricant.

Énoncé relatif à la Commission des communications fédérales (FCC). Cet appareil est conforme à la section 15 du règlement de la FCC. Le fonctionnement est soumis aux deux conditions suivantes: (1) cet appareil ne doit pas émettre de brouillage nuisible, et (2) cet appareil doit accepter tout brouillage, y compris tout brouillage qui pourrait occasionner un fonctionnement indésirable.

Cet appareil a fait l'objet de tests et il a été trouvé conforme aux limites établies pour un appareil numérique de Classe B comme il est stipulé à la section 15 du règlement de la FCC. Ces limites sont établies pour assurer une protection raisonnable contre le brouillage nuisible dans un environnement résidentiel. Ce matériel génère, utilise et peut émettre de l'énergie de fréquence radio et, s'il n'est pas installé et utilisé conformément aux instructions, il peut provoquer un brouillage nuisible aux communications radio. Cependant, on ne peut garantir que le brouillage n'aura pas lieu dans le cadre d'une installation particulière. Si ce matériel cause un brouillage nuisible de la réception radio ou de la télévision, ce qui peut être déterminé en éteignant et en remettant l'appareil en marche, il est indiqué de remédier à la situation en prenant les mesures suivantes:

- Réorienter ou déplacer l'antenne réceptrice.
- Augmenter la distance entre l'appareil et le récepteur.
- Brancher l'appareil dans une prise de courant sur un circuit différent de celui auquel le récepteur est branché.
- Consulter le revendeur ou un technicien radio/télé expérimenté pour obtenir de l'aide.

Mise en garde de la FCC: Pour assurer la conformité de cet appareil, suivre les consignes d'installation fournies. Tout changement ou toute modification non expressément autorisée par la partie responsable de la conformité risque d'annuler la permission qu'à l'utilisateur de faire fonctionner le présent appareil.

Entretien de l'appareil:

1. Éteindre l'appareil avant de débrancher l'alimentation électrique.
2. Toujours nettoyer l'appareil à l'aide d'un chiffon sec et doux.

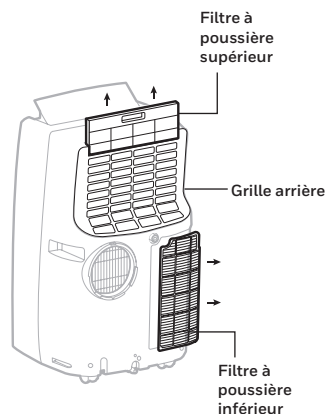
Entretien du filtre à poussière:

Le filtre à poussière doit être nettoyé toutes les deux semaines.
Nettoyer comme suit:

1. Éteindre et débrancher le climatiseur.
2. Éteindre l'appareil et retirer le filtre à la grille/ le filtre inférieurs.
3. Lavez délicatement avec de l'eau et/ ou dilué avec un détergent à vaisselle liquide. Rincez abondamment et secouez doucement pour enlever l'excès d'eau sur filter.Laisser sécher le filtre dans un endroit ombragé et frais, puis le réinstaller.

Remarque: Vous pouvez utiliser un aspirateur pour enlever la poussière.

4. Replacer la filtre à poussière supérieur et la filtre à poussière inférieur sur l'unité.



AVERTISSEMENT: NE PAS alimenter ou utiliser le climatiseur lors du nettoyage ou lorsque le filtre à poussière est retirés de l'appareil ou s'il existe un filtre anti-poussière mal ajusté. NE PAS essayer de manipuler ou de toucher des pièces ou des câbles à l'intérieur du gril arrière après le retrait du filtre antipoussière de l'appareil. Cela pourrait provoquer des blessures graves ou un choc électrique.

Entretien et entreposage de fin de saison:

Si l'appareil n'est pas utilisé pendant une longue période, Suivez ces étapes:

1. S'assurer de drainer l'eau condensée restante. Retirer le bouchon de vidange inférieur et utiliser un plat peu profond pour recueillir l'eau (s'assurer de remettre le bouchon en place par la suite).
2. Pour éliminer l'excès d'humidité, faire fonctionner l'appareil en mode ventilation pendant 30 minutes avant de le ranger.
3. Éteindre et débrancher le climatiseur.
4. Retirer le filtre et le rincer à l'eau. Après le rinçage, laisser sécher le filtre dans un endroit ombragé et frais, puis le réinstaller.
5. Retirer la trousse d'installation pour la fenêtre:
 - Retirez le tuyau de l'orifice de sortie d'air en tournant dans le sens anti-horaire pour déverrouiller le mécanisme à bouton, puis retirez en couissant.
 - Retirez l'adaptateur de support de fenêtre du support de fenêtre en tournant dans le sens anti-horaire, puis retirez doucement.
 - Il est recommandé de ranger les pièces de la trousse de fenêtre dans un sac avec la télécommande et de les placer avec le climatiseur.
 - Si nécessaire, nettoyer la trousse de fenêtre avec un chiffon humide et de l'eau avant de la ranger.
6. Il est recommandé d'enrouler le cordon d'alimentation, et de ne pas le laisser au sol afin d'éviter qu'il soit plié ou autrement endommagé. Entreposer le climatiseur dans un endroit frais et sec, à l'abri de la lumière directe.
7. Couvrir le climatiseur portable avec un sac de tissu ou de plastique avant l'entreposage, à l'abri de l'accumulation de poussière et des éraflures sur la surface de l'appareil.

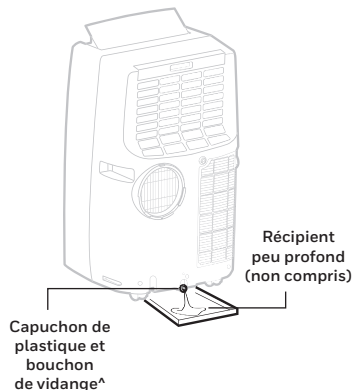
IDANGE DE L'EAU DE CONDENSATION

En présence d'un excès d'eau de condensation dans l'appareil, la climatisation cesse et un voyant s'allume (la touche de mise en marche s'illumine en rouge et clignote). Ce voyant indique que l'eau de condensation doit être vidangée en procédant comme suit:

Évacuation manuelle pendant les modes de refroidissement, déshumidification et chauffage*

Dans les régions où l'humidité est très élevée, la vidange de l'eau peut se révéler nécessaire.

1. Débrancher l'appareil.
2. Placer un récipient peu profond sous le bouchon de vidange. Voir le schéma.
3. Retirer le capuchon de plastique et le bouchon de vidange inférieur.
4. L'eau s'écoulera et s'accumulera dans le récipient.
5. Une fois l'eau vidangée, replacer le bouchon de vidange inférieur solidement.
6. L'appareil peut maintenant être remis en marche.



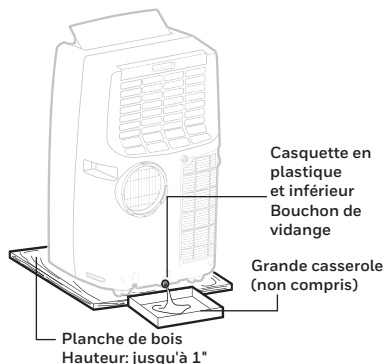
*Ne s'applique qu'aux modèles avec chauffage.

^MN4CFS9/ MN4HFS9/ MN4CFSBB9/ MN4HFSBB9/ MN4CFSWW9/ MN4HFSWW9: Dia. Extérieur: 17 mm

IDANGE DE L'EAU DE CONDENSATION (SUITE)

S'il existe un haut volume de condensation et si un récipient peu profond n'est pas suffisant pour votre utilisation, il est possible d'utiliser un plus grand seau pour procéder à la vidange. Suivre attentivement les instructions ci-dessous :

1. Utiliser une planche plane et stable ayant une épaisseur comprise entre 1" po. La base pourrait être une planche en bois achetée dans un magasin de bricolage local, les dimensions minimales de la base étant de 20" de longueur x 17" de largeur x 1" d'épaisseur.
2. La base doit être suffisamment large et robuste pour supporter le climatiseur portatif. Le climatiseur doit être stable, et ne doit pas basculer ou bouger lorsqu'il est positionné sur la base; aussi, il ne doit pas facilement tanguer.
3. Évacuer l'eau à partir du bouchon de vidange inférieur, le cas échéant, dans un seau plus grand ou au moyen d'un tube de vidange. Pour utiliser un tube de vidange, il est possible d'acheter un tube en vinyle ayant un diamètre extérieur de 5/8" (15 mm) et un diamètre intérieur de 1/2" (13 mm). À noter que le tube de vidange doit être positionné à un niveau inférieur au bouchon de vidange pour éviter que la condensation d'eau ne s'introduise en retour dans le climatiseur.



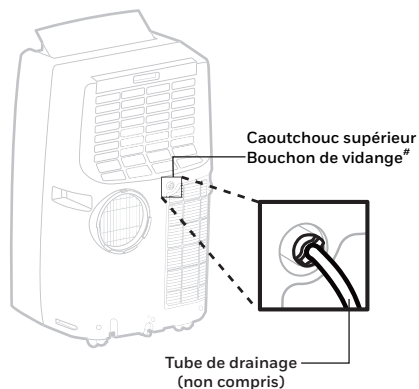
AVERTISSEMENT Pour des raisons de sécurité, il ne faut PAS positionner le conditionneur d'air sur une base dont la hauteur est supérieure à 1" po par rapport au sol. Cette consigne est seulement recommandée si une base plane, stable est prévue pour supporter le conditionneur d'air en toute sécurité.

*Ne s'applique qu'aux modèles avec chauffage.

Vidange continue en mode déshumidification

Lorsque l'appareil est utilisé en mode déshumidification, la vidange continue est recommandée.

1. Débrancher l'appareil.
2. Retirer le bouchon de vidange supérieur.
Ce faisant, de l'eau résiduelle peut se répandre. Il est donc conseillé d'avoir un récipient à portée de main pour recueillir l'eau.
3. Brancher le raccord de vidange à un tuyau de 0,8" (2cm) (non compris). Voir le schéma.
4. L'eau peut être évacuée en continu à travers le tube de vidange dans une terre à drainer ou un inférieur drainer.
5. Remettre le bouchon en place.
6. L'appareil peut maintenant être remis en marche.



AVERTISSEMENT: Il n'est PAS recommandé de raccorder le tuyau de vidange pour une évacuation continue pendant que l'appareil est en marche (ON) en mode de refroidissement de conditionnement d'air. Cela pourrait réduire l'efficacité de refroidissement du conditionneur d'air. Évacuer la condensation d'eau uniquement lorsque l'appareil est éteint (OFF). L'évacuation continue convient uniquement lorsque l'appareil est réglé en mode Déshumidification.

Un tuyau de vidange trop long ou une différence de hauteur limitée entre le bouchon de vidange et le sol peuvent réduire le drainage de l'eau.

AVERTISSEMENT: Pendant le mode de chauffage*, l'eau ne peut pas être évacuée avec l'option d'évacuation continue. En mode de chauffage, le réservoir d'eau interne collecte la condensation plus rapidement et peut, par conséquent, exiger une plus grande fréquence de vidange du réservoir dans les pièces plus humides. Il est recommandé d'utiliser le mode de chauffage dans une pièce ayant 50% d'humidité ou moins. Il faut éviter de faire fonctionner des produits produisant de l'humidité ou des appareils, comme un humidificateur ou une bouilloire lorsque l'appareil est en mode de chauffage.

*Ne s'applique qu'aux modèles avec chauffage.


MN4CFS9/ MN4HFS9/ MN4CFSBB9/ MN4HFSBB9/ MN4CFSWW9/ MN4HFSWW9: Dia. Extérieur: 17 mm

Le guide de dépannage suivant aborde les problèmes les plus courants. Si le problème persiste, appeler le service à la clientèle. Débrancher l'appareil de la prise murale et en retirer le tuyau de plastique fixé à l'arrière avant de tenter de résoudre les problèmes.

PROBLÈME	CAUSSE POSSIBLE	SOLUTION
Il est impossible de mettre l'appareil en marche	Il n'y a pas d'électricité.	Vérifier l'alimentation.
	Les piles de la télécommande doivent être remplacées.	Changer les piles de la télécommande.
	Le cordon d'alimentation n'est pas correctement branché.	Débrancher, puis rebrancher le cordon d'alimentation.
	L'interrupteur de sécurité LCDI s'est déclenché (États-Unis, Canada et Mexico seulement).	Réinitialiser l'interrupteur de sécurité LCDI; si le problème persiste, communiquer avec notre service à la clientèle (États-Unis, Canada et Mexico seulement).
Ne fonctionne que pendant une courte période	Le réglage de la température du thermostat est trop près de la température ambiante.	Abaissier la température réglée.
	La sortie d'air est obstruée.	S'assurer que le tuyau d'évacuation est correctement branché.
	Le tuyau d'évacuation est fortement replié sur lui-même.	Brancher le tuyau d'évacuation selon les consignes à la page 4.
En mode de chauffage*, l'appareil s'éteindra fréquemment.	La pièce est trop humide. Le réservoir d'eau doit être vidé.	En mode de chauffage*, la pompe thermique condense l'humidité de l'air dans le réservoir d'eau interne. Dans les pièces plus humides, la thermopompe procède à la collecte plus rapidement, ce qui exige une vidange plus fréquente. Il est recommandé d'utiliser le mode de chauffage dans une pièce ayant 50 % d'humidité ou moins. Il faut éteindre les appareils de type humidificateur ou bouilloire afin d'éviter toute accumulation d'humidité supplémentaire dans la pièce lorsque l'appareil est en mode de chauffage.

*Ne s'applique qu'aux modèles avec chauffage.

PROBLÈME	CAUSSE POSSIBLE	SOLUTION
Fonctionne, mais sans refroidir	Une porte ou une fenêtre est ouverte.	S'assurer que la fenêtre ou la porte est fermée.
	Le filtre à poussière doit être nettoyé.	Nettoyer le filtre à poussière.
	Le tuyau d'évacuation est détaché.	Réinstaller le tuyau d'évacuation correctement (se référer à la section installation).
	Le réglage de la température est trop élevé.	Abaisser la température au moyen du panneau de commande.
	L'entrée ou la sortie d'air est obstruée.	Éliminer l'obstruction.
	La taille de la salle dépasse la taille de salle recommandée.	Déplacer l'unité à une plus petite salle.
	Une grande taille ou le nombre de fenêtre peut diminuer l'efficacité de refroidissement.	Couvrir les fenêtres avec des rideaux ou des stores.
L'appareil refuse de fonctionner et la touche de mise en marche clignote (indiquant que le réservoir d'eau est plein)	Excès d'eau de condensation à l'intérieur du réservoir.	Vidanger l'eau (se référer à la section vidange de l'eau de condensation).

PROBLÈME	CAUSSE POSSIBLE	SOLUTION
L'appareil ne passe pas en mode chauffage* (cela ne concerne que les modèles de climatiseurs portatifs avec une fonction intégrée de chauffage*).	La fonction de chauffage* n'est pas encore activée. La température ambiante est trop élevée.	Vérifier si la fonction de chauffage* a été activé.  s'allume lorsque l'appareil est mis en marche.
	Le chauffage* est activé uniquement lorsque la température ambiante est inférieure à 25 °C (77 °F).	Activer la fonction de chauffage* lorsque la température ambiante atteint moins de 25 °C (77 °F).

*Ne s'applique qu'aux modèles avec chauffage.

LEA Y GUARDE ESTAS INSTRUCCIONES

MEDIDAS DE SEGURIDAD IMPORTANTES LEA DETENIDAMENTE Y GUÁRDELO PARA CONSULTAS FUTURAS. EN CASO DE INCONSISTENCIAS O CONFLICTOS ENTRE LA VERSIÓN EN INGLÉS Y LA VERSIÓN EN ALGÚN OTRO IDIOMA DEL CONTENIDO DE ESTE MANUAL, PREVALECERÁ LA VERSIÓN EN IDIOMA INGLÉS.

ADVERTENCIA:

- NO utilice la unidad con un enchufe o una toma de corriente dañados. Si el cable de alimentación estuviera dañado, deberá ser reemplazado por el fabricante, su servicio técnico o una persona debidamente calificada para ello con el fin de evitar situaciones de peligro.
- NO cubra la entrada de aire o la salida de aire residual cuando lo utilice.
- NO coloque objetos encima de la unidad, sobre todo objetos pesados. NO se sienta en la unidad.
- Apague y desenchufe siempre la unidad cuando lleve a cabo tareas de limpieza o mantenimiento.
- NO utilice el aparato si está dañado.
- Contacte al servicio técnico autorizado en caso de requerirse alguna reparación.
- Desenchufe la unidad cuando la guarde o no la utilice.
- NO transporte o tire del aparato desde el cable de alimentación.
- NO atore el cable de alimentación con la puerta NI lo arrastre a lo largo de los bordes o esquinas afiladas.
- NO coloque el cable de alimentación debajo de alfombras y tapetes.
- Tenga cuidado para evitar tropezar con el cable.
- NO utilice el aparato en los casos siguientes:
 - Cerca del fuego
 - En áreas donde se almacene gasolina, sulfuro, aceite, pintura o algún otro artículo inflamable.
 - En áreas donde se pueda arrojar agua.

- NO toque el enchufe o el aparato con las manos mojadas.
- Siempre se deben seguir unas medidas de precaución básicas cuando se utilizan aparatos eléctricos.
- Este producto ha sido fabricado para uso habitacional y no debe ser utilizado para otros propósitos.
- **Utilice solamente el kit de instalación proporcionado para instalar esta unidad.**

NO intente extender el ducto de escape o instalar esta unidad usando métodos diferentes a los mostrados en este manual. Una instalación incorrecta anulará cualquier garantía vigente.


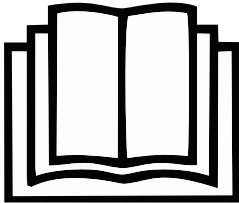


- NO utilice un cable de extensión con esta unidad.
- Este aparato puede ser utilizado por niños de 8 años y mayores y las personas con capacidades físicas, sensoriales o mentales reducidas o falta de experiencia y conocimiento, si se les ha dado la supervisión o instrucciones relativas al uso del aparato de una manera segura y comprenda los peligros involucrados. Los niños no deben jugar con el aparato.
La limpieza y mantenimiento del equipo no debe ser hecho por los niños sin supervisión.
- Nunca meta los dedos o algún palo por la salida de aire. Procure advertir a los niños especialmente de tales peligros.
- El fabricante no se hace responsable de las lesiones o los daños a la propiedad debidos al incumplimiento de las instrucciones de mantenimiento o del uso inapropiado del aparato.
- El aparato se instalará de acuerdo con las normas nacionales de cableado.
- Este equipo no se destina para utilizarse por personas (incluyendo niños) cuyas capacidades físicas, sensoriales o mentales sean diferentes o estén reducidas o carezcan de experiencia o conocimiento a menos que dichas personas reciban una supervisión o capacitación para el funcionamiento del aparato.

SEGURIDAD (CONTINUACIÓN)

- Los niños deben ser supervisados para no jugar con el equipo.
- Se deben seguir las normativas nacionales sobre aparatos e instalaciones eléctricas.
- El aparato debe transportarse derecho.
- No encienda el aparato hasta una hora como mínimo después de haberlo enchufado.
- Es esencial que el aparato esté conectado a una conexión a tierra eficiente y verificada por un electricista calificado.
- El gas refrigerante escapando de una posible fuga en habitaciones sin ventilación podría ocasionar un incendio o una explosión si el refrigerante entra en contacto con calefactores eléctricos, estufas o alguna fuente de ignición.
- Manipule el aparato con cuidado cuando lo vaya a guardar para prevenir fallos mecánicos.
- Solo deberán trabajar en circuitos de refrigeración personas autorizadas por una agencia acreditada que certifique su competencia para manipular refrigerantes cumpliendo con la normativa del sector.
- No utilice medios para limpiar o acelerar el proceso de descongelación, salvo aquellos recomendados por el fabricante.
- Las sustancias inflamables o los envases presurizados (p. ej., latas de aerosoles) deben mantenerse a 50 cm como mínimo.
- Utilice solamente los implementos recomendados por el fabricante para su limpieza o descongelación.
- NO haga funcionar su aire acondicionado en habitaciones húmedas, como un baño o un lavadero.
- La maquinaria trabaja de manera óptima cuando la humedad está dentro de un rango 30-80% de Humedad Relativa.

SEGURIDAD (CONTINUACIÓN)

- Este aparato debe utilizarse en una habitación que permita una buena ventilación entre éste y las paredes, los muebles y demás objetos. El tamaño de la habitación debe corresponder con el área de uso especificada por el fabricante. El aparato también debe mantenerse en buen estado para prevenir daños mecánicos.
- Se advierte que las rejillas de ventilación deben permanecer libres de obstrucciones.
- No perfore o quemee los refrigerantes.
- Tenga presente que los refrigerantes pueden ser inodoros.
- NO modifique este aparato en modo alguno para evitar situaciones de peligro.
- Cualquier procedimiento que afecte la seguridad solo deberán llevarlo a cabo personas competentes.

SÍMBOLO	NOTA	SIGNIFICADO
<p>R32</p> 	<p>ADVERTENCIA</p>	<p>Este símbolo indica que el aparato utiliza un refrigerante inflamable. Peligro de incendio si se produce una fuga del refrigerante y queda expuesto a una fuente externa de ignición.</p>
		<p>Este símbolo indica que el manual de instrucciones debe leerse con detenimiento.</p>
	<p>ATENCIÓN</p>	<p>Este símbolo indica que esta unidad debería ser manipulada por un técnico siguiendo el manual de instalación.</p>
		<p>Este símbolo indica que la información está disponible en documentos tales como el manual de instrucciones o el manual de instalación.</p>

Advertencias adicionales para unidades con refrigerante de gas R32

- Leer cuidadosamente las instrucciones antes de usar la unidad.
- El gas refrigerante R32 cumple con las directivas ambientales UL60335-2-40 / UL60335-1.
- Este aparato contiene una cierta cantidad de gramos (consultar la etiqueta en la parte posterior de la unidad) de gas refrigerante R32. La cantidad máxima de carga de refrigerante no es superior a R32 1,84 kg según UL60335-2-40.
- Al descongelar o limpiar, no utilizar ningún método que no sea el recomendado por el fabricante.
- No colocar la unidad en una habitación con fuentes continuas de ignición (por ejemplo, flama abierta, aparato de gas en funcionamiento o calefactor eléctrico en funcionamiento).
- No perforar y no quemar.
- No perforar ninguna parte del circuito de refrigeración.
- El gas refrigerante podría ser inodoro.
- La unidad debe instalarse, utilizarse y almacenarse en un área 2 superior a los R32 gas: 4 m².
- La acumulación de posibles fugas de refrigerante en una habitación sin ventilación podría provocar un incendio o una explosión si el refrigerante entra en contacto con calentadores eléctricos, estufas u otras fuentes de ignición.
- Solo personas autorizadas por una organización acreditada que certifique su competencia para manejar refrigerantes de conformidad con la legislación de la industria deben trabajar en el circuito de refrigerante.
- Cualquier procedimiento que afecte la seguridad solo deberán llevarlo a cabo personas competentes.

- Las reparaciones deben realizarse siguiendo las recomendaciones del fabricante. El mantenimiento y las reparaciones que requieran la asistencia de algún otro personal acreditado deben realizarse bajo la supervisión de especialistas en el uso de refrigerantes inflamables.



La reparación debe realizarse de acuerdo a las recomendaciones del fabricante. El mantenimiento y la reparación que requieran la asistencia de otro personal calificado debe ser realizado bajo la supervisión de especialistas en el uso de refrigerantes inflamables.

El transporte de equipos que contienen refrigerantes inflamables debe cumplir con las normativas de transporte.

1. La marcación del aparato mediante el uso de símbolos debe cumplir con las normas locales.
2. La eliminación de equipos que utilizan refrigerantes inflamables debe cumplir con las normativas nacionales.
3. El almacenamiento de equipos debe hacerse conforme a las instrucciones del fabricante.
4. El embalaje de protección para su almacenamiento debe construirse de tal modo que no se produzcan fugas en el refrigerante en caso de daños mecánicos en el aparato embalado. El número máximo de aparatos que pueden ser almacenados juntos estará determinado por las normas locales.
5. Esta marca indica que el producto no debe eliminarse con otros residuos domésticos en ningún lugar. Para prevenir posibles daños al medio ambiente o a la salud ocasionados por la eliminación incontrolada de desechos, recicle este producto de manera responsable con el fin de promover la reutilización sostenible de los recursos materiales. Use los sistemas de devolución y recogida para devolver el aparato, o contacte con la tienda donde realizó la compra del producto. Ellos se encargarán de reciclar este producto de una manera segura y ecológica.



Esta marca indica que este producto no debería desecharse con otro artículo del hogar como residuos. Para evitar posibles daños al medio ambiente o la salud humana derivados de la eliminación no controlada de residuos, reciclelo de manera responsable para promover la reutilización sostenible de los recursos materiales. Para devolver su aparato usado, utilice los sistemas de devolución y recolección o póngase en contacto con el distribuidor donde adquirió el producto. Pueden tomar este producto para reciclarlo de manera segura para el medio ambiente.

Felicidades por la compra de este versátil Aire Acondicionado portátil Honeywell.

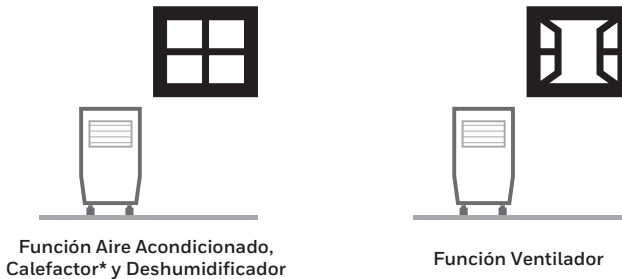
En cuanto a información relativa a la instalación, manipulación, servicio, limpieza y eliminación del aparato, agradeceremos consultar el siguiente párrafo del manual.

USO RECOMENDADO

Los aires acondicionados portátiles Honeywell son ideales para el enfriamiento de lugares. El compresor, condensador y evaporador están alojados dentro de una unidad compacta. El aire es deshumidificado y enfriado mientras una manguera flexible de salida de aire envía el calor al exterior. Esta unidad incluye un juego de accesorios para ventanas. Los aires acondicionados portátiles le ofrecen una solución flexible para el enfriamiento de aire.

Sistema de auto evaporación - La unidad evapora automáticamente la humedad condensada a través de la manguera de salida de aire. No hay necesidad de vaciar el tanque de drenaje. Lea cuidadosamente estas instrucciones.

Para asegurar una eficiencia óptima del producto, recomendamos mantener las puertas y ventanas cerradas cuando esté en operación como aire acondicionado o deshumidificador. Si el producto se usa tan sólo con la función de ventilador, coloque la unidad cerca de una ventana abierta, de manera que la unidad pueda atraer el aire exterior, y el aire que circula en la habitación salga por la puerta.



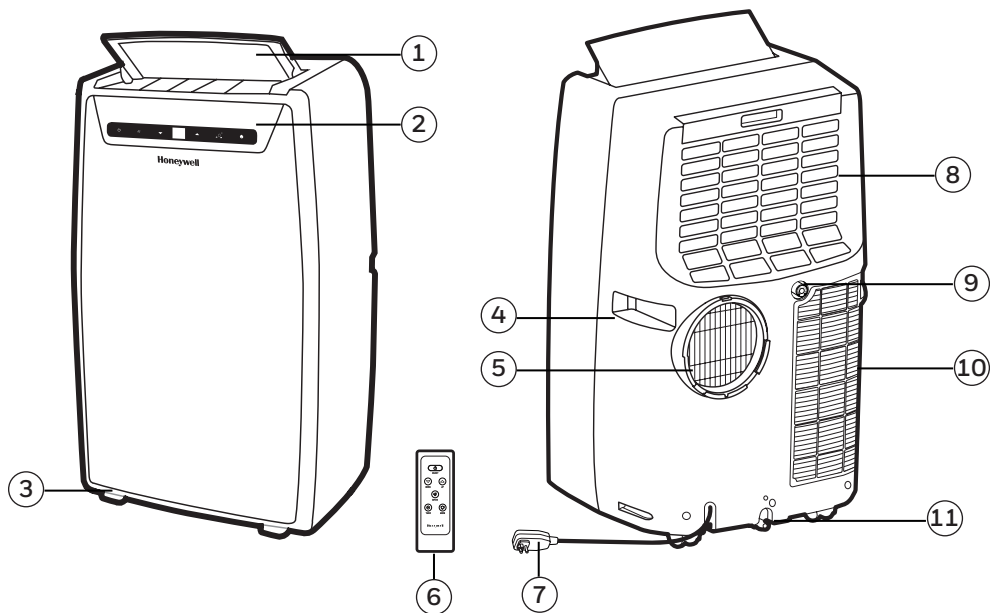
Importante:

Después de transportarlo, coloque la unidad en posición vertical para permitir que el gas refrigerante se estabilice y espere 1 hora antes de usarlo. Ajuste manualmente la ventila de aire localizada en la parte superior de la unidad, para ajustar la dirección del flujo de aire.

- Siga las instrucciones de instalación para configurar su unidad.
- Conecte la unidad a un circuito conectado adecuadamente a tierra.
No conectar a un cable con extensión.

*Aplica solo para modelos seleccionados con la función Calefacción.

DESCRIPCIÓN DE PARTES



1) Salida de Aire

2) Panel de Control
(Incluye Receptor de Señal)

3) Ruedas

4) Manija

5) Conector de la Manguera

6) Control Remoto

7) Cable de Corriente Eléctrica y
Clavija con Protección de Voltaje

8) Rejilla superior y filtro para polvo

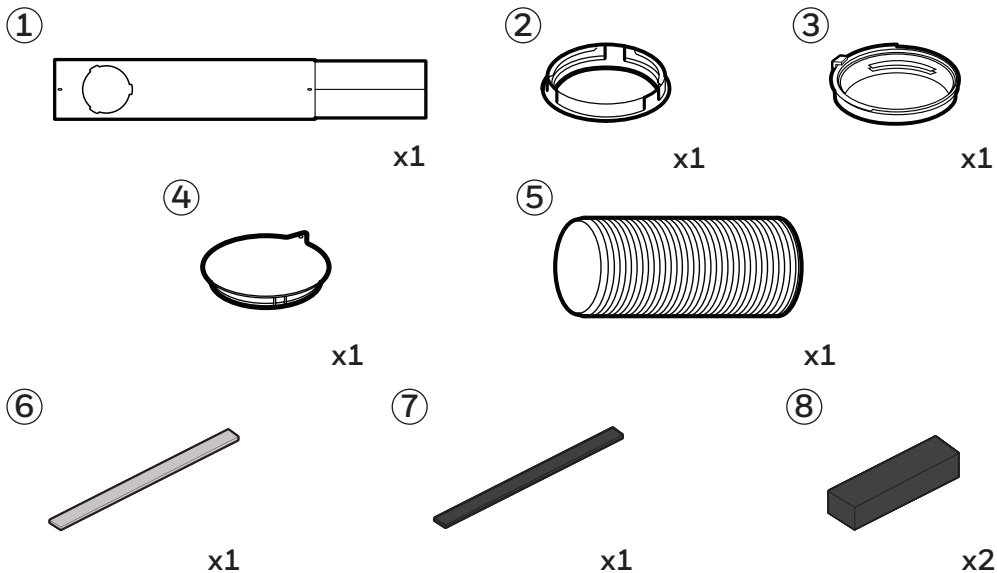
9) Tapón de drenaje superior
(Modo Deshumidificador)

10) Rejilla Inferior y filtro para polvo

11) Tapón de Drenaje Inferior con tapa de
Plástico (Modo Aire Acondicionado)

INSTALACIÓN

Es importante que las instrucciones de instalación se sigan para la correcta instalación de este aire acondicionado portátil. Por favor llamar al Centro de Atención a Clientes si usted tiene cualquier dificultad o duda con respecto a estos procedimientos de instalación.



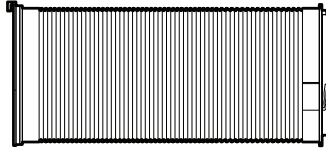
Kit de Instalación:

1. Soporte Deslizante para Ventana / Puerta	(1 Juego)	5. Manguera de Salida de Aire	(1 Pieza)
2. Adaptador para Panel de Ventana	(1 Pieza)	6. Cinta aislante (gris, adhesiva)	(1 Pieza)
3. Conector de Manguera	(1 Pieza)	7. Cinta aislante (negra, adhesiva)	(1 Pieza)
4. Tapa para Orificio	(1 Pieza)	8. Almohadillas aislantes de espuma (no adhesivo)	(2 Piezas)

INSTALACIÓN (CONTINUACIÓN)

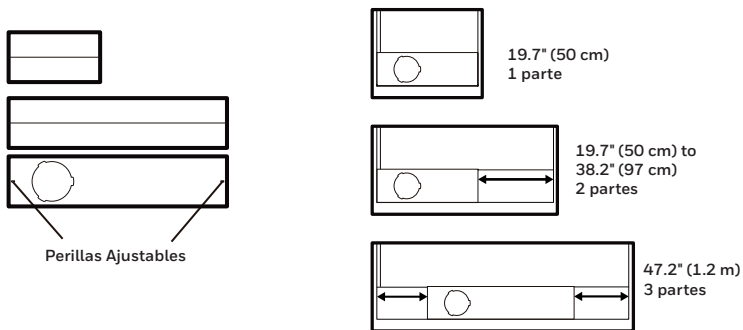
Pasos de la Instalación:

1. El conector de la manguera de salida, la manguera de salida y el adaptador del panel de soporte de ventana están pre-encontrados dentro del empaque.



Manguera:
Longitud: 12" to 47" (30 cm to 120 cm)

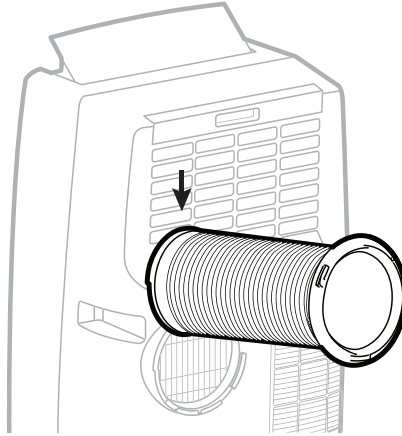
2. Los soportes para la ventana le permiten instalarlo a ventanas y puertas deslizantes de diferentes anchos y alturas.



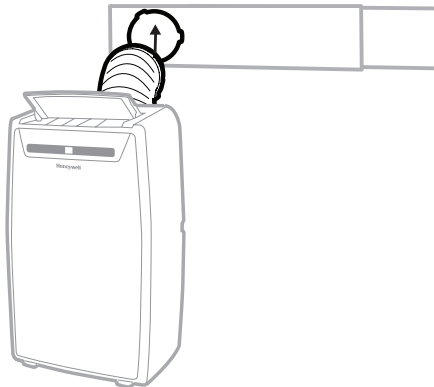
Para instalar el adaptador de ventana al marco de la ventana, es necesario ajustar la altura o ancho del adaptador de ventana extendiéndolo según el alto o ancho de la ventana. Cuando haya ajustado el perfil para que coincida con el ancho o alto del marco apriete los tornillos tipo mariposa preinstalados en el perfil para asegurar el perfil en la posición deseada. Utilice una o las dos piezas según su necesidad.

Nota: Después de ajustar el Adaptador de Soporte De Ventana al tamaño de su ventana removerlo de misma manera y seguir las siguientes instrucciones.

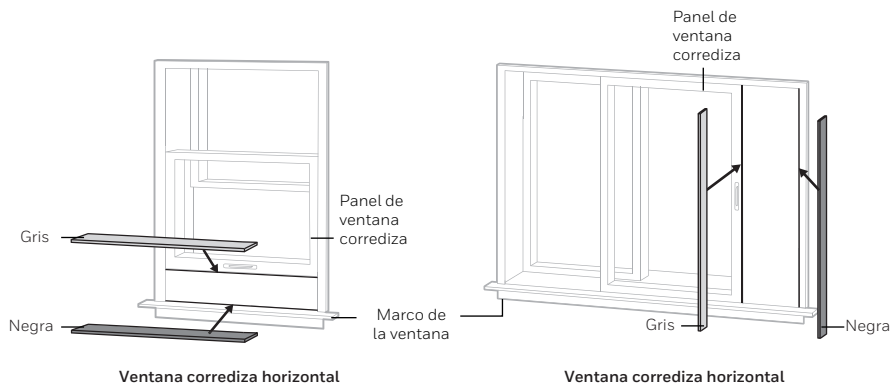
3. Conecte la Manguera de Salida de Aire al conector de manguera en la parte posterior de la unidad. Deslizar hacia adentro el conector de la manguera de arriba a abajo. Asegúrese de que todos los lados estén asegurados dentro de las ranuras de las salidas.



4. Conecte el soporte para ventana con el adaptador del panel del soporte para ventana deslizando el adaptador del panel en los agujeros del soporte para ventana, luego gire en el sentido de las manecillas del reloj hasta que quede bloqueado en su lugar.



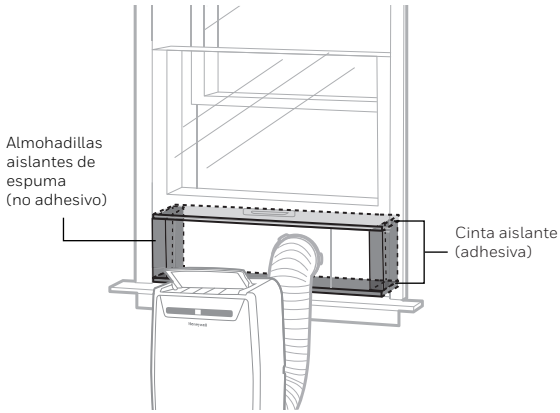
5. Mida y corte las cintas aislantes de espuma a la longitud total del marco de su ventana. Despegue el adhesivo y fíjelo lentamente a la parte inferior de la ventana y al marco. La cinta gris debe adherirse a la parte móvil de la ventana.



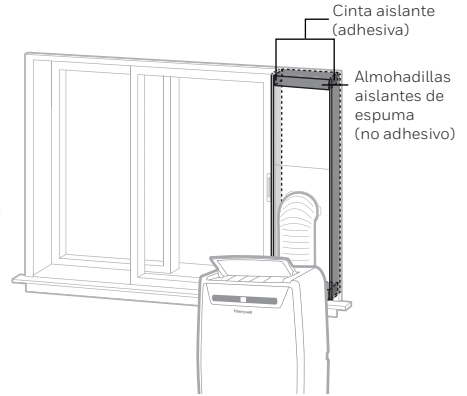
6. Conectar el soporte de ventana a su ventana.



7. Coloque las almohadillas de espuma no adhesiva en los dos bordes que no están cubiertos por la cinta adhesiva de espuma, para sellar los huecos y evitar la entrada de aire e insectos en la habitación.



Ventana corrediza horizontal

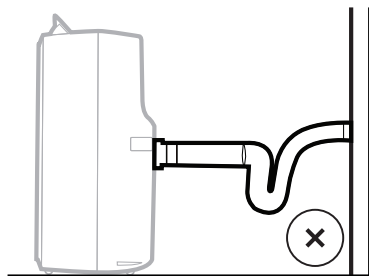


Ventana corrediza horizontal

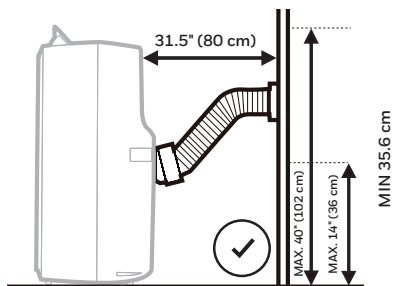
8. Su Aire acondicionado portátil está listo para usarse.

INSTALACIÓN (CONTINUACIÓN)

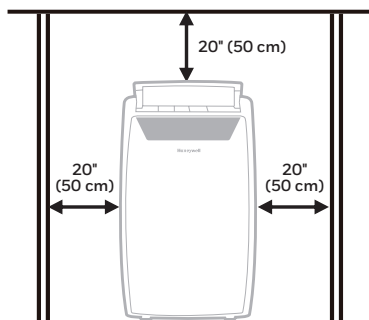
IMPORTANTE: No cambie ni alargue el ducto de escape, ya que podría provocar un mal funcionamiento de la unidad.



NO RECOMENDADO



RECOMENDADO

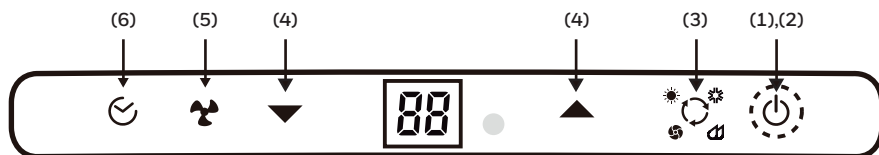


EL ESPACIO DE AIRE MÍNIMO

ADVERTENCIA: Cualquier garantía que se incluya con este producto será anulada si una manguera de extensión se añade al kit de instalación suministrado originalmente o si la instalación se realiza de manera diferente a las instrucciones del fabricante, sin la debida consulta. Póngase en contacto con el Centro de Atención al Cliente en caso necesario, para obtener ayuda con los procedimientos de instalación correctos.

- La manguera de salida proporcionada tiene un salida de 5.91" (15cm) y puede ser extendida de 12" a 47" (30 cm a 120 cm).
- No doblar (como se muestra arriba) la manguera de salida de aire. Una manguera doblada bloqueará el aire de salida y ocasionará que la unidad se apague inmediatamente.
- Asegúrese que la parte trasera de la unidad esté a al menos 31.5" (80 cm) de distancia de la pared, y el espacio de aire mínimo desde la parte superior / frontal / izquierda / derecha es de 20 "(50 cm). No coloque la unidad frente a cortinas o cortinas, ya que esto podría obstruir el flujo de aire.

PANEL DE CONTROL



- | | |
|---|--|
| 1) Control de Energía /
Modo en Espera | 4) Ajuste de Temperatura /
Temporizador |
| 2) Luz de Advertencia
(Cuando Parpadea) | 5) Control de Velocidad |
| 3) Control de Modo (Aire
Acondicionado, Deshumidificador,
Ventilador y Calefactor*) | 6) Control del Temporizador |

BOTONES DE FUNCIONES

CONTROL DE ENERGÍA

El control de energía enciende y apaga la unidad. Cuando la unidad está enchufada pero apagada, el control de encendido permanece iluminado para indicar que está en modo de espera, lista para ser activada en cualquier momento.

LUZ DE ADVERTENCIA

La humedad condensada en agua puede acumularse en la unidad.


Si el tanque interno se llena, la luz de encendido parpadea y la unidad no funcionará hasta que el agua haya sido drenada (consulte el Drenado de Agua).

Después de apagar el aire acondicionado, debe esperar 3 minutos antes de encenderlo de nuevo.

CONTROL DE MODO

FUNCIONES: Aire Acondicionado, Deshumidificador, Ventilador y Calefactor*.

La luz indicadora correspondiente se iluminará para indicar el ajuste del modo actual.

- Modo Aire Acondicionado 
Ajuste la velocidad del ventilador y la temperatura del aire para adaptarse a su nivel de confort deseado. El rango de temperatura ambiente es de 16°C - 32°C (61°F - 89°F).
El rango de humedad de uso es 30% -80% RH.

*Aplica solo para modelos seleccionados con la función Calefacción.

BOTONES DE FUNCIONES (CONTINUACIÓN)

- Modo Deshumidificador 

El aire se deshumidifica a medida que pasa a través de la unidad, sin estar en modo de Aire Acondicionado. Si la temperatura ambiente es superior a 25°C (77°F) la velocidad del ventilador se puede ajustar, de lo contrario la velocidad del ventilador está preajustado en BAJA.

Nota: Si la unidad será utilizada principalmente como deshumidificador, no conectar la manguera de salida de aire. El drenaje continuo es entonces necesario (Veáse Drenaje Continuo para Modo Deshumidificador).

IMPORTANTE: El modo Deshumidificador se usa para ayudar a la reducción de la humedad, pero no debe usarse para deshumidificar en la misma proporción que un aparato estándar que solo deshumidifica. El deshumidificador interno ajusta automáticamente la deshumidificación basado en las temperaturas del medio ambiente de la habitación. No es posible ajustarlo a un porcentaje de humidificación deseada. La pantalla frontal sólo muestra las temperaturas actuales y deseadas. No muestra los niveles de humedad.

- Modo de Ventilación 

Para la circulación de aire sin enfriar.

- Modo Calefactor* 

Esta unidad usa tecnología Bomba-Calor la cual retorna el ciclo de enfriamiento del aire acondicionado, transfiriendo calor de fuera en la habitación - esto es mas eficiente que los calentadores eléctricos tradicionales que generan calor en lugar de transferir el calor a la habitación. Estas propiedades hacen a este calentador, ideal para usarse en otoño o primavera cuando las temperaturas exteriores no son severamente frías, o como calentamiento suplementario en habitaciones frías de su casa.

Cuando se selecciona el modo Calefactor*, la luz indicadora encenderá. El modo Calefactor* se activará solamente si la temperatura ambiente es inferior a 25°C (77°F). En este modo la temperatura deseada se puede ajustar entre 16°C y 25°C (61°F a 77°F).

Nota: En modo calefactor*, la manguera de salida de aire debe estar colocada hacia el exterior de la habitación.

IMPORTANTE: La bomba de Calor jala humedad del aire, el cual entonces se condensa en el tanque de agua interno. La unidad parará la operación cuando el tanque esté lleno y reiniciará cuando haya sido vaciado. Se recomienda usar el modo calefactor* en una habitación con un máximo de 50% de humedad. Evite operar productos que producen humedad o aparatos, tales como un humidificador o una tetera, cuando esté usando la unidad en el modo calefactor*. Vea la sección "Drenado de Agua en Modo Calefactor*" para más información en el desagüe del tanque de agua.

*Aplica solo para modelos seleccionados con la función Calefacción.

BOTONES DE FUNCIONES (CONTINUACIÓN)

AJUSTE DE TEMPERATURA / TEMPORIZADOR

- Se usan para ajustar el temporizador y termostato.
- El valor predeterminado es la temperatura ambiente.
- En Modo de Aire Acondicionado, cuando el botón ▼ o ▲ se presiona, la temperatura configurada se despliega y puede ajustarse. Después de 10 segundos, la pantalla regresará a la temperatura ambiente. La temperatura sólo es ajustable en el modo Frío. El tiempo es ajustable entre 1 y 24 horas.

Nota: Al presionar ambos botones ▼ o ▲ al mismo tiempo, la pantalla cambiará entre el valor en grados Celsius (°C) y Fahrenheit (°F).

CONTROL DE VELOCIDAD

3 configuraciones: Alta, Media y Baja.

AJUSTE DE TEMPORIZADOR

APAGADO AUTOMÁTICO:

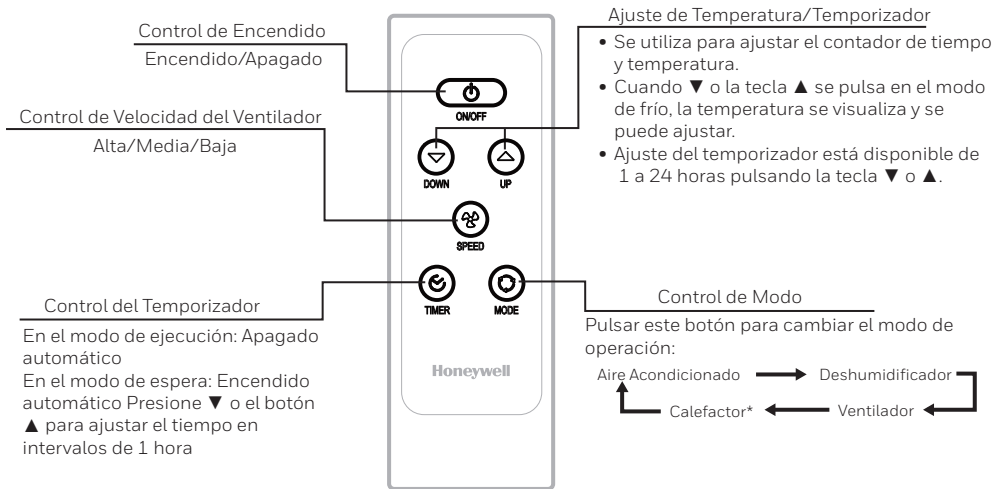
Con el equipo encendido, pulse el botón temporizador y pulse el botón ▼ o ▲ para seleccionar el número de horas que desee que el equipo permanezca funcionando, pasando ese tiempo el equipo se apagará automáticamente.

ENCENDIDO AUTOMÁTICO:

Con el equipo en modo de espera (Enchufado con la luz de control de energía encendida), pulse el botón del temporizador y pulse el botón ▼ o ▲ para seleccionar el número de horas hasta que la unidad se inicie automáticamente.

CONTROL REMOTO

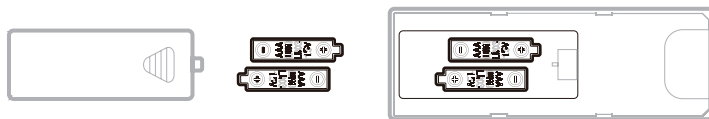
Todas las funciones de las teclas se pueden acceder desde el control remoto.



Nota:

- Instalación de Baterías: quite la cubierta en la parte trasera del control remoto e inserte dos baterías AAA con los polos "+" y "-" apuntando a la dirección correcta.

*Aplica solo para modelos seleccionados con la función Calefacción.



Precaución:

- Use sólo dos baterías AAA ó IEC R03 1,5V.
- Retire las baterías si el control remoto no se va a utilizar por más de un mes.
- Todas las baterías deben reemplazarse al mismo tiempo, no mezclar con baterías viejas.
- No mezcle pilas alcalinas, estándar (zinc-carbón) o recargables (níquel-cadmio).
- Deshágase de las baterías usadas.

Este dispositivo cumple con la parte 15 de las reglas de la FCC. La utilización del dispositivo está sujeta a dos condiciones: 1. Este dispositivo no provoca ninguna interferencia perjudicial. 2. Este dispositivo aceptará cualquier interferencia que reciba, incluyendo aquellas que provoquen una operación no deseada.

Se ha probado el equipo y cumple con las condiciones establecidas para dispositivos digitales de clase B por la parte 15 de las reglas de la FCC. Estas condiciones se han establecido con el objetivo de proteger instalaciones residenciales de interferencias peligrosas. Este equipo genera, utiliza y puede emitir energía de frecuencia de radio y, si no se instala y utiliza de acuerdo con las instrucciones, puede provocar interferencias peligrosas en las comunicaciones de radio; sin embargo, no existe garantía alguna de que la interferencia no tenga lugar en una instalación en concreto. Si este equipo provoca interferencia perjudicial en la recepción de radio o televisión, hecho que puede comprobarse apagando y encendiendo el equipo, el usuario tendrá que corregir la interferencia tomando una o varias de las medidas que se detallan a continuación:

- Volver a orientar o colocar la antena receptora.
- Aumentar la separación existente entre el equipo y el receptor.
- Conectar el equipo en un enchufe diferente al que estaba el receptor conectado.
- Consultar al distribuidor o solicitar la ayuda de un técnico especialista en radio y televisión.

Precaución: Se requiere la utilización de cable apantallado para cumplir con los límites de clase B especificados en la subparte B de la parte 15 de las reglas de la FCC. No realice cambios ni modificaciones al equipo a menos que estén especificados en el manual. Si realiza tales cambios o modificaciones, se le puede exigir que pare con la utilización del equipo.

Mantenimiento de la Unidad:

1. Apague la unidad antes de desconectarla de la toma de corriente eléctrica.
2. Limpie con un trapo limpio y seco.

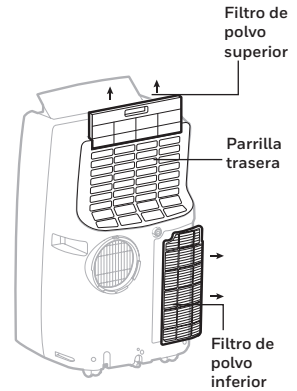
Mantenimiento para el Filtro de Polvo:

Los filtros de polvo deben limpiarse cada dos semanas para mantener la eficiencia de la refrigeración del aire. Por favor, siga las siguientes instrucciones para limpiar los filtros de polvo:

1. Apague la unidad y desconecte de la toma de corriente.
2. Remover el Filtro Superior/Rejilla y Filtro Inferior/Rejilla.
3. Suavemente lavar usando agua y/o diluir detergente para trastes. Enjuagar bien y agitar suavemente el exceso de agua de los filtros. Seque el filtro de aire y vuelva a instalarlo en la unidad.

Nota: Puede usarse una aspiradora para remover polvo.

4. Reemplazar el Filtro de Polvo Superior y el Filtro de Polvo Inferior en la unidad.



ADVERTENCIA: NO encienda ni haga funcionar el aire acondicionado al limpiar o cuando se retira el filtro de polvo de la unidad, o si hay un filtro de polvo suelto. NO intente manipular o tocar ninguna de las piezas o el cableado dentro de la parrilla trasera después de haber retirado el filtro de polvo de la unidad. Hacerlo puede causar lesiones graves o descargas eléctricas.

Almacenamiento y Mantenimiento al Terminar la Temporada:

Si la unidad no se usará por un período prolongado de tiempo:

1. Asegúrese de drenar la condensación del agua sobrante. Retire el tapón de drenaje inferior y utilizar una bandeja de poca altura para recoger el agua (asegúrese de colocar el tapón de drenaje cuando termine).
2. Para secar el exceso de humedad, haga funcionar la unidad en modo de sólo ventilador durante 30 minutos antes de guardarla.
3. Apague y desconecte el aire acondicionado de la toma de corriente eléctrica.
4. Quite el filtro de aire y limpie con agua. Seque el filtro de aire y vuelva a instalarlo en la unidad.
5. Desconexión del kit de instalación para Ventana:
 - Retire con cuidado los ductos de escape de la parte trasera de la unidad.
 - Retire y desinstale con cuidado el soporte para ventana y los adaptadores del panel de la ventana.
 - Retire el soporte de ventana, el adaptador del soporte de ventana y la manguera de conexión. Se recomienda almacenar las piezas del kit de ventana en una bolsa junto con el control remoto y colocarlos junto con la unidad de aire acondicionado.
 - Si es necesario, puede limpiar el Kit de ventana con un trapo húmedo antes de guardarla. Asegúrese de que todas las partes del kit de ventana estén secos antes de guardarlas.
6. Se recomienda enrollar el cable de alimentación y almacenarlo lejos del piso para asegurarse de que el cable esté protegido de inclinaciones y pliegues.
7. Cubra el Aire Acondicionado Portátil con una bolsa de tela / plástico antes de su almacenamiento, para proteger del polvo y rayones en la superficie de la unidad.

*Aplica solo para modelos seleccionados con la función Calefacción.

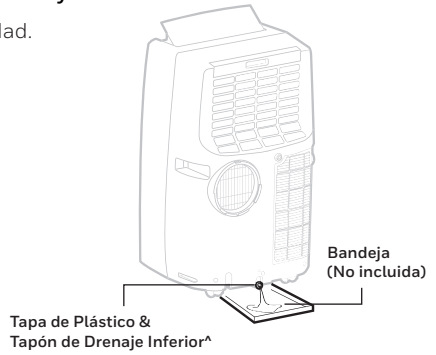
DRENADO DE AGUA

Cuando la unidad tiene un exceso de agua de condensación dentro de la unidad, el equipo dejará de funcionar y mostrará una luz de advertencia. (el botón de encendido parpadeará con una luz roja) Este error indicará que el agua necesita ser drenada de acuerdo a algunos de los métodos:

Drenado Manual en Enfriamiento. Modo Deshumidificador y Calefactor*

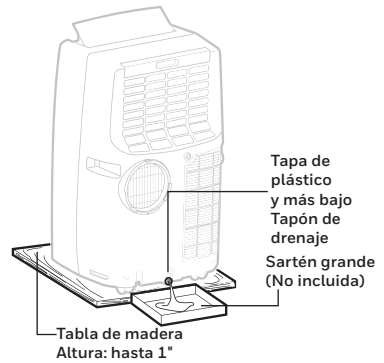
Es necesario drenar el agua en áreas de muy alta humedad.

1. Desconecte la unidad de la corriente eléctrica
2. Coloque una bandeja de poca altura debajo del tapón de drenaje. Vea el diagrama.
3. Remover la el tapón de drenaje inferior.
4. El agua drenada se acumula en la bandeja.
5. Después de que el agua es drenada, cierre la tapa firmemente.
6. Ahora puede encender la unidad.



Si encuentra que existe un volumen alto de condensación y la bandeja poco profunda no es suficiente para su uso, puede usar usted una cubeta más grande para desaguar. Siga las instrucciones siguientes cuidadosamente:

1. Encuentre una tabla estable de 1" de espesor. La base puede ser una tabla de madera comprada en su tienda local, con una dimensión mínima en la base de 20" (largo) y 17" (ancho) x 1" (grosor).
2. La base debe ser suficientemente grande y fuerte para que el aire acondicionado portátil quepa encima. El aire acondicionado debe estar estable y no inclinarse o moverse cuando se coloque sobre esta base y que no pueda volcarse fácilmente.
3. Desagüe el agua del tapón inferior del drenaje cuando sea necesario, en una cubeta más grande o través de un tubo de desagüe. Si está usando un tubo de desagüe, puede comprar tubería de vinil que tenga un diámetro de 5/8" y un diámetro interno de 1/2".
Recuerde que el tubo de desagüe debe colocarse más abajo que el tapón de desagüe, para que el agua de la condensación no fluya de regreso hacia el aire acondicionado.



PRECAUCION: Por razones de seguridad, el aire acondicionado NO debe ser colocado sobre una base más alta de 1" del suelo. Esto solo se recomienda si tiene una base estable y plana para colocar el aire acondicionado de forma segura.

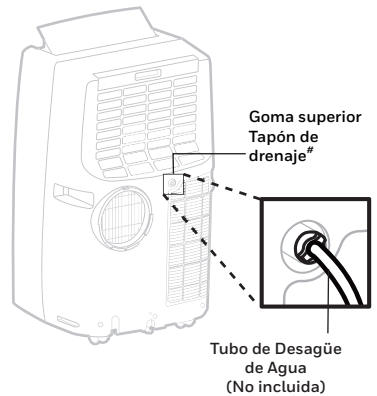
*Aplica solo para modelos seleccionados con la función Calefacción.

^MN4CFS9/ MN4HFS9/ MN4CFSBB9/ MN4HFSBB9/ MN4CFSWW9/ MN4HFSWW9: External Dia.: 17 mm

Drenaje Continuo para Modo Deshumidificador

Mientras utiliza la unidad en el modo deshumidificador, el drenaje continuo es recomendado.

1. Desconecte la unidad de la toma de corriente eléctrica.
2. Retire el tapón de drenaje superior.
Mientras se hace esta operación se genera algún derrame de agua, así que por favor tenga un recipiente para el agua. Vea el diagrama.
3. Instalar el conector con $\frac{3}{4}$ " de manguera (manguera no incluida).
4. El agua se puede drenar continuamente a través de la manguera de drenaje en un desagüe en el suelo o en una cubeta.
5. Colocar el tapón de drenaje.
6. Ahora puede encender la unidad.



IMPORTANTE: NO se recomienda conectar la manguera de desagüe para un desagüe continuo, mientras la unidad esté encendida en el modo enfriamiento del aire acondicionado. Hacerlo puede reducir la eficiencia de enfriamiento del aire acondicionado. Únicamente desagüe la condensación del agua cuando la unidad esté apagada. El desagüe continuo es conveniente solamente cuando la unidad está puesta en modo Deshumidificador.

Una manguera de drenaje demasiado larga o una diferencia de altura limitada entre el tapón de drenaje y el piso pueden reducir el drenaje de agua.

IMPORTANTE: El agua no puede ser drenada usando la opción de desagüe continuo en el modo calefactor*. En el modo calefactor*, el tanque de agua interno recoge la condensación más rápido y puede requerir vaciados del tanque mas frecuentes en habitaciones húmedas. Se recomienda usar el modo calefactor* en una habitación con un máximo de 50% de humedad. Evite operar productos que crean humedad o aparatos, tales como un humidificador o una tetera cuando use la unidad en modo calefactor*.

*Aplica solo para modelos seleccionados con la función Calefacción.


#MN4CFS9/ MN4HFS9/ MN4CFSBB9/ MN4HFSBB9/ MN4CFSWW9/ MN4HFSWW9: External Dia: 17 mm

La siguiente guía solución de problemas aborda los problemas más comunes. Si los problemas persisten, llame a servicio al cliente. Desconecte el aparato de la corriente eléctrica antes de intentar reparar cualquier problema.

PROBLEMA	POSIBLE CAUSA	SOLUCIÓN
El equipo de aire acondicionado no opera	No hay electricidad.	Revisar la corriente eléctrica.
	Las baterías en el control remoto están agotadas.	Cambie las baterías del control remoto.
	El cable eléctrico no está conectado correctamente.	Desconecte y reconecte el cable de alimentación.
	El dispositivo de seguridad en la clavija LCDI se ha roto (USA / CANADA / MEXICO solamente).	Resetear el dispositivo protector, si el problema persiste contactar al servicio al cliente (USA / CANADA / MEXICO solamente).
La unidad funciona solo por un corto tiempo	La temperatura seleccionada está demasiado cerca de la temperatura ambiente.	Baje la temperatura seleccionada.
	La salida de aire está bloqueada por un obstáculo.	Revise que la salida de aire no esté obstruida por ningún obstáculo.
	Hay codos que estrangulan la manguera de salida de aire.	Conecte la manguera de escape de acuerdo con instrucciones en página 4.
En Modo calefactor*, la unidad está apagándose frecuentemente.	La habitación es demasiado húmeda. El Tanque de Agua necesita ser vaciado.	En Modo calefactor*, la bomba de calor condensa la humedad del aire en el tanque de agua interno. En habitaciones mas húmedas, recogerá mas rápido y necesitará ser vaciado mas frecuentemente. Se recomienda usar el modo calor en habitaciones con un máximo de 50% de humedad. Apague cualesquiera aparatos tales como, un humidificador o tetera para evitar que se cree humedad extra en la habitación cuando se opera en modo calor.

*Aplicable para modelos seleccionados con Calefacción.

PROBLEMA	POSIBLE CAUSA	SOLUCIÓN
Funciona pero no enfría	Una puerta o ventana está abierta.	Cerrar cualquier puerta o ventana que se encuentre abierta.
	El filtro de polvo está sucio.	Retirar los filtros de polvo y lavarlos.
	La manguera de salida de aire está desconectada.	Reinstalar la manguera de salida de aire adecuadamente (consulte la sección instalación).
	La temperatura configurada es demasiado alta.	Reducir la temperatura en el panel de control.
	La salida o entrada de aire están bloqueadas.	Revisar que entre y salga suficiente aire en el equipo.
	Habitación excede el tamaño recomendado.	Mover la unidad a un cuarto más pequeño.
	El tamaño o número de ventanas grandes disminuirán la eficacia del enfriamiento.	Cubrir las ventanas con cortinas o persinas.
El equipo no funciona y botón de encendido está parpadeando (Indicador de agua lleno)	El tanque interno de la unidad está lleno.	Drene el agua (consulte Drenado de Agua).

PROBLEMA	POSIBLE CAUSA	SOLUCIÓN
El calefactor* no enciende. (Esto solo puede ser aplicable para los modelos de aire acondicionado portátiles con función integrada de calefacción*).	La función de calefacción* no está activada aún. La temperatura ambiente es muy alta.	Revise que la función de calefacción* haya sido activada.  se iluminará cuando el calefactor sea encendido.
	La función de calefacción* se activa solo cuando la temperatura ambiente es inferior a los 25°C (77°F).	Encienda la función de calefacción* cuando la temperatura ambiente llegue a niveles inferiores a los 25°C (77°F).

*Aplicable para modelos seleccionados con Calefacción.

ES

Hecho en China
© 2023 JMATEK Limited. Todos los derechos reservados.
La marca Honeywell es usada bajo licencia de Honeywell International Inc. Honeywell International Inc. no representa ni garantiza este producto.
Este producto es fabricado por Airtek Int'l Corp. Ltd. (subsidiaria de JMATEK Limited).

FR

Fabriqué en Chine
© 2023 JMATEK Limited. Tous droits réservés.
La marque déposée Honeywell est utilisée en vertu d'une licence de Honeywell International inc.
Honeywell International inc. ne fait aucune déclaration et ne donne aucune garantie à l'égard de ce produit.
Ce produit est fabriqué par Airtek Int'l Corp. Itée (une filiale de JMATEK Limited).

EN

Made in China
© 2023 JMATEK Limited. All rights reserved.
The Honeywell Trademark is used under license from Honeywell International Inc.
Honeywell International Inc. makes no representations or warranties with respect to this product.
This product is manufactured by Airtek Int'l Corp. Ltd. (subsidiary of JMATEK Ltd.).

JMATEK North America LLC
Mahwah, New Jersey 07495 USA
Email: usinfo@jmatek.com
Web: www.HoneywellAirComfort.com

Honeywell